

# MENIOTA

AMERICA'S LUXURY FIREPLACE

## Full View Direct Vent Gas Fireplace Insert With Premium Texture Fiber Logs Combustion System

### INSTALLATION & OPERATING INSTRUCTIONS

**NATIONA** We recommend that our gas hearth products be installed and serviced by professionals who are certified in the U.S. by the National Fireplace Institute® (NFI) as NFI Gas Specialists.



www.nficertified.org



**MODEL NO. FV44i**  
**DOCUMENT: FV44i-0510**

**Do not store or use gasoline or other flammable vapors and liquids in the vicinity of this or any other appliance.**

**WHAT TO DO IF YOU SMELL GAS**

- Open windows.
- Do not touch electrical switches.
- Do not try to light any appliance.
- Extinguish any open flame.
- Do not use the phone in your building.
- Immediately call your gas supplier from a neighbor's phone. Follow the gas supplier's instructions.
- If you cannot reach your gas supplier, call the fire department.

**WARNING**  
If the information in this manual is not followed exactly, a fire or explosion may result causing property damage, personal injury or loss of life.

**WARNING**  
Do NOT use this appliance if any part has been under water. Immediately call a qualified service technician to inspect the appliance and to replace any part of the control system and any gas control, which has been under water.

In the Commonwealth of Massachusetts:

- Installation must be performed by a licensed plumber or gas fitter;
- A CO detector shall be installed in the room where the appliance is installed.

**CAUTION**  
THESE INSTRUCTIONS ARE TO REMAIN WITH THE HOMEOWNER.

**WARNING:** Improper installation, adjustment, alteration, service or maintenance can cause injury or property damage. Refer to this manual. For assistance or additional information consult a qualified installer, service agency or the gas supplier.

**FOR YOUR SAFETY**  
A qualified installer, service agency, or the gas supplier must perform installation and service.

Do not store or use gasoline or other flammable vapors and liquids in the vicinity of this or any other appliance.

**WARNING**  
Do not operate this appliance with the glass removed, cracked or broken. A licensed or qualified person should do replacement of glass.

**WARNING**  
Mendota gas fireplaces are heat producing appliances. Do not burn wood, paper or other materials in this fireplace. This fireplace is designed as a supplement heat source. It is advisable to have an alternative primary heat supply.

The installation must conform with local codes or, in the absence of local codes, with the current National Fuel Gas Code, ANSI Z223.1, or the current Natural Gas and Propane Installation Code, CSA B149.1

This appliance may be installed in an aftermarket permanently located, manufactured (mobile) home, where not prohibited by local codes.

This appliance is only for use with the type(s) of gas indicated on the rating plate. This appliance is not convertible for use with other gases, unless a certified kit is used.

## TABLE OF CONTENTS

SPECIFICATIONS .....	2
SAFETY AND WARNING INFORMATION .....	3
GENERAL INFORMATION .....	5
<b>SAFETY AND STRUCTURAL CONCERNS:</b> .....	5
<b>VENTING REQUIREMENTS</b> .....	5
HEATING PERFORMANCE .....	5
<b>ELECTRICAL REQUIREMENTS</b> .....	5
<b>SPECIFICATIONS &amp; CLEARANCES</b> .....	6
INSTALLATION INSTRUCTIONS .....	7
<b>FLUE VENTING</b> .....	8
CHIMNEY FLASHING AND CAP .....	9
<b>RAISED HEARTH SPECIFICATIONS</b> .....	11
<b>GAS SUPPLY REQUIREMENTS</b> .....	12
<b>GAS PRESSURE REQUIREMENTS</b> .....	13
<b>INSTALLATION CHECK OFF LIST</b> .....	16
LIGHTING CHECK OFF LIST .....	16
DOOR REMOVAL AND REPLACEMENT .....	17
<b>FV-44i LOG SET INSTALLATION INSTRUCTIONS</b> .....	18
FV-44i LOG SET PARTS .....	18
<b>BEFORE YOU BEGIN</b> .....	27
REMOTE CONTROL TRANSMITTER FUNCTIONS .....	27
MODE SELECTION KEY .....	27
REMOTE TRANSMITTER OPERATING INSTRUCTIONS .....	28
TO TURN ON THE APPLIANCE .....	28
TO TURN OFF THE APPLIANCE .....	28
MODE KEY .....	28
FLAME HEIGHT .....	28
SECONDARY BURNER .....	28
MANUAL BYPASS OF THE REMOTE SYSTEM .....	29
TEMPERATURE INDICATOR (OF OR OC) .....	29
KEY LOCK FUNCTION .....	29
LOW BATTERY POWER DETECTION .....	29
OPERATING DURING POWER OUTAGES .....	29
<b>“FIRST TIME” PILOT LIGHTING INSTRUCTIONS</b> .....	30
INITIALIZING THE REMOTE CONTROL SYSTEM .....	30
SYNCHRONIZING RECEIVER AND TRANSMITTER .....	30
<b>IPI/STANDING PILOT SYSTEM INFORMATION</b> .....	31
INTERMITTENT PILOT LIGHT AND STANDING PILOT LIGHT FEATURES .....	31
IPI MODE .....	31
STANDING PILOT MODE .....	31
FV-44i GAS IGNITION SYSTEM WIRING DIAGRAM .....	32
MAINTENANCE .....	33
BURNER FLAMES GENERAL HEIGHTS REFERENCE DIAGRAM .....	33
<b>NATURAL TO LP GAS CONVERSION</b> .....	34
ORIFICE SIZES REQUIREMENT: .....	34
RECOMMENDED PROCEDURE TO CONVERT THIS FIREPLACE TO BURN LPG .....	34
<b>LP GAS PRESSURE REQUIREMENTS</b> .....	37
Lpg proper input rates: .....	37
Leak testing requirements .....	37
BLOWER OPERATION AND WIRING .....	39
<b>EMERGENCY GAS CONTROL SHUTOFF</b> .....	<b>39</b>
CUSTOMER INFORMATION AND TROUBLE-SHOOTING .....	40
TROUBLE SHOOTING MENDOTA GAS FIREPLACE INSERT .....	40
GAS FLAME ADJUSTMENT .....	41
REPLACEMENT AND SERVICE PARTS .....	42
FV-44i VALVE ASSEMBLY REPLACEMENT PARTS .....	42
MENDOTA WARRANTY QUALIFICATION & SERVICE REFERENCE FORM .....	44
MENDOTA EXTENDED LIFETIME PROTECTION AND LIMITED WARRANTY .....	46



## SAFETY AND WARNING INFORMATION

**READ and UNDERSTAND** all instructions carefully before starting the appliance. **FAILURE TO FOLLOW** these instructions may result in a possible fire hazard and will void the warranty.

Any safety screen or guard removed for servicing must be replaced before operating this appliance.

**DO NOT USE** this appliance if any part has been under water. Immediately **CALL** a qualified service technician to inspect the appliance and to replace any part of the control system and any gas control, which has been underwater.

**THIS UNIT IS NOT FOR USE WITH SOLID FUEL.**

Installation and repair should be **PERFORMED** by a qualified service person. The appliance and venting system should be **INSPECTED** before initial use and at least annually by a professional service person. More frequent cleaning may be required due to excessive lint from carpeting, bedding, material, etc. It is **IMPERATIVE** that the unit's control compartment, burners, and circulating air passageways **ARE KEPT CLEAN** to provide for adequate combustion and ventilation air.

Always **KEEP** the appliance clear and free from combustible materials, gasoline, and other flammable vapors and liquids.

**NEVER OBSTRUCT** the flow of combustion and ventilation air. Keep the front of the appliance **CLEAR** of all obstacles and materials for servicing and proper operation.

Due to high temperature, the appliance should be **LOCATED** out of traffic areas and away from furniture and draperies. Clothing or flammable material **SHOULD NOT BE PLACED** on or near the appliance.

Children and adults should be **ALERTED** to the hazards of high surface temperature and should **STAY AWAY** to avoid burns or clothing ignition. Young children should be **CAREFULLY SUPERVISED** when they are in the same room as the appliance.

These units **MUST** use one of the vent systems described in the Installing Your Fireplace section of the Installers Guide. **NO OTHER** vent systems or components **MAY BE USED**.

This gas fireplace and vent assembly **MUST** be vented directly to the outside and **MUST NEVER** be attached to a chimney serving a separate solid fuel-burning appliance. Each gas appliance **MUST USE** a separate vent system. Common vent systems are **PROHIBITED**.

If the vent-air intake system is disassembled for any reason, reinstall per the instructions provided for the initial installation.

The vent system assembly for this fireplace must be periodically examined by a qualified service agency.

**INSPECT** the external vent cap on regular basis to make sure that no debris is interfering with the airflow. The flow of combustion and ventilation air not to be obstructed

**DO NOT** abuse the glass door by striking the glass, slamming the door shut, etc.

Use only authorized parts and materials obtained from Johnson Gas Appliance Company when replacing defective or damaged glass.

**DO NOT USE** abrasive cleaners on the glass door assembly. **DO NOT ATTEMPT** to clean the glass door when it is hot.

Turn off the gas before servicing this appliance. It is recommended that a qualified service technician perform an appliance check-up at the beginning of each heating season.

**DO NOT** place furniture or any other combustible household objects within 36 inches of the fireplace front.

**CAUTION:** Do not operate the appliance with glass removed, cracked or broken. Replacement of the panel(s) should be done by a licensed or qualified service person.

## CONGRATULATIONS

You are the owner of a world-class heat producing gas direct vent sealed combustion fireplace.

This elegant, highly efficient Fireplace will be a constant source of comfort and fascination. It will be the focal point of beauty and interest in your home.

The Mendota Gas Fireplace is a true heating appliance incorporating the traditional aesthetics of fireplace fire viewing with the controllability and fuel efficiency of a home gas furnace. Of particular interest is the low fuel consumption and brilliant fire viewing afforded by the realistic Premium Fiber wood fire-like combustion system.

Carefully read the following instructions prior to actual installation. Proper Mendota Gas Fireplace installation and operation will give you years of safe, trouble free comfort and enjoyment.

If you have any questions regarding installation or operation of your Mendota Fireplace please contact your local dealer.

### ...CAUTION...

Due to high temperatures, the Fireplace should be located out of traffic and away from furniture and draperies. Children and adults should be alerted to the hazards of high surface temperature and should stay away to avoid burns or clothing ignition. Young children should be carefully supervised when they are in the same room as the Mendota Gas Fireplace.

Clothing or other flammable material should not be placed on or near the Fireplace.

Any safety screen or guard removed for servicing an appliance must be replaced prior to operating this appliance.

The Mendota Gas Fireplace is a powerful and efficient heating unit. It has been designed as a major source of supplemental heat. As with any mechanical appliance there can be component shut downs. It is advisable to have an alternate heat supply.

Installation, repair and any adjustments to logs or burner must be done by a qualified service person. The appliance should be inspected before use and at least annually by a professional service person. More frequent cleaning may be required due to excessive lint from carpeting, bedding material, carbon build-up, etc. It is imperative that control compartments, burners and circulating air passageways of the appliance be kept clean. The burner and pilot flames and logs should be visually checked periodically.

DO NOT use this appliance if any part has been under water or exposed to moisture corrosion. Immediately call a qualified service technician to inspect the Fireplace and replace any part of the control system and any gas control, which has been under water. DO NOT use this fireplace if the burner does not light immediately. Turn unit off and call Mendota approved service person if there is any delay in burner light off.

It is Johnson Gas Appliance Company's policy that no responsibility is assumed by the Company or by any of its employees or representatives for any damages caused by an inoperable, inadequate, or unsafe condition which is the result, either directly or indirectly, of any improper operation, installation or servicing procedures.

### Building Permit and Installation Inspection Approval Requirements

All installations of Mendota Fireplaces and Inserts must comply with all the requirements stated in this Installation and Operating Instructions Manual. The Dealer and/or installer must also obtain all required Building Permits and Inspection Approval from the local building inspection department or the local body having jurisdiction. In order to validate warranty coverage, Mendota may require facsimile copies of the Building Permit and Inspection Approval forms. Failure to provide adequate proof that the installation conforms to all local requirements and the requirements stated in the Installation and Operating Instructions Manual will void all applicable warranty.

**INSTALLER: THESE INSTRUCTIONS ARE TO REMAIN WITH HOMEOWNER.**

**HIGH ALTITUDE INSTALLATION INFORMATION:** Prior to installing at altitudes higher than 7500, please contact the Mendota technical service department for specific venting requirements and venting restrictions.

## GENERAL INFORMATION

Your Mendota Gas Fireplace Insert has a state-of-the-art direct vent, sealed combustion system. This advanced, highly efficient system brings in outside air for combustion, has a separate exhaust vent and efficiently heats and re-circulates room air. The Mendota system maintains high air quality, maximizes efficiency and assures proper operation.

### SAFETY AND STRUCTURAL CONCERNS:

The FV-44i Fireplace Insert must be installed and serviced by a Mendota approved serviceperson. Any adjustments to burner, pilot, logs or coal bed must be made by a Mendota approved service person. If pilot goes out, always wait five (5) minutes before relighting pilot. The flame must not "lift" off the burner.

ALWAYS USE MENDOTA FACINGS, MENDOTA VENT SYSTEMS AND MENDOTA APPROVED VENT CAPS.  
ONLY DOORS CERTIFIED WITH THE APPLIANCE SHALL BE USED.

A non-combustible hearth protector is required and must extend a minimum of 16" in front of the fireplace when this insert is installed at floor level.

### VENTING REQUIREMENTS

Use only Mendota specified vents and vent caps when installing your fireplace insert. All vent pipe sections must be tight and leak proof.

### HEATING PERFORMANCE

The Mendota FV-44i I Fireplace Insert is a true, high efficiency gas heater. The Mendota Insert will usually heat a large area of your home if situated to maximize heat circulation. **NOTE:** The Mendota Insert is designed as a supplemental heat source. It should not be used as a whole house heating system. Supplemental air movement considerations for maximizing heat circulation are: through-the-wall grills, floor grills, ceiling fans, or the continuous operation of central heating and cooling blowers. The most EFFICIENT and successful method for overall heat distribution is a ceiling fan. "Customer Information". The heat output of the Insert can be reduced by using the down arrow on the Remote Control. Heat output can be further reduced by turning off the rear burner using the remote control. The blowers can also be turned down to reduce heat output.

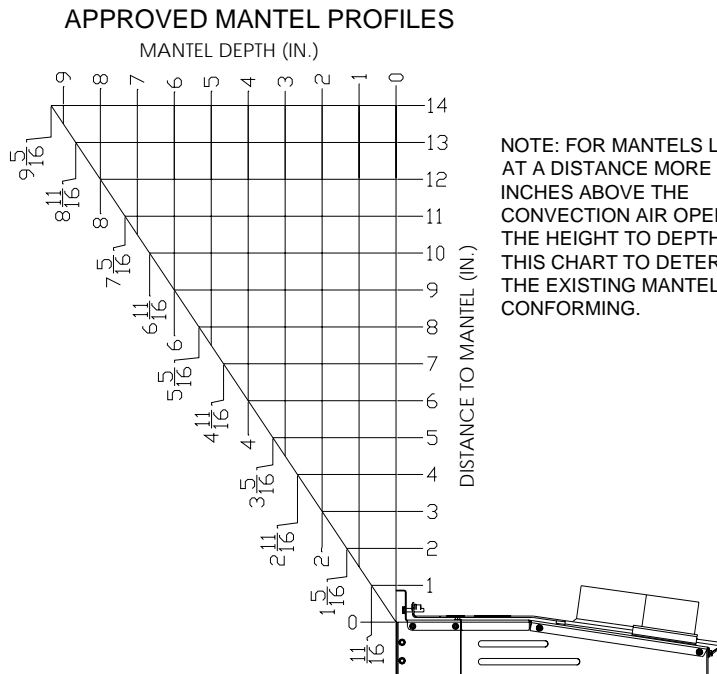
### ELECTRICAL REQUIREMENTS

A 120-volt electrical service must be supplied at the fireplace location at the time of installation.

The blowers must be electrically grounded in accordance with local codes or in the absence of local codes, with the National Electric Code ANSI/NFPA 70-1987. The blowers are equipped with a three-prong (grounding) plug for your protection against shock hazard and should be plugged directly into a properly grounded three-prong receptacle. **DO NOT CUT OR REMOVE THE GROUNDING PRONG FROM THIS PLUG!**

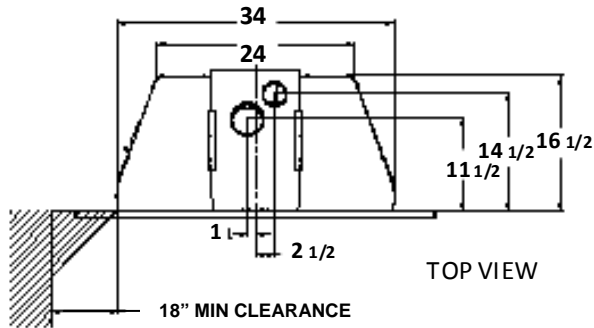
### APPROVED MANTEL PROFILES

The existing Combustible Mantel must fall within the approved mantel profile chart. If it does not, either remove and relocate the combustible mantel at an approved height or add a 20 gage metal shield underneath the combustible mantel that extends the full width and depth of the combustible mantel. Provide a 1" active air space between the metal shield and the bottom surface of the combustible mantel. Use ceramic spacers to create the 1" active air space.

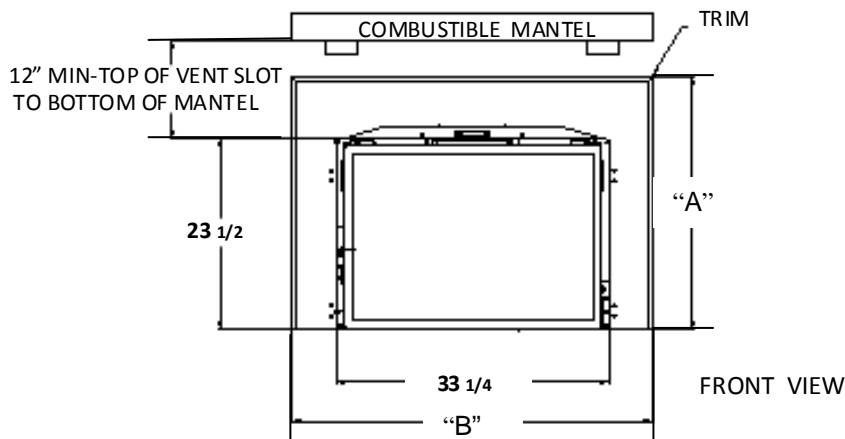


# MENDOTA FV-44i GAS DIRECT VENT FIREPLACE INSERT SPECIFICATIONS & CLEARANCES

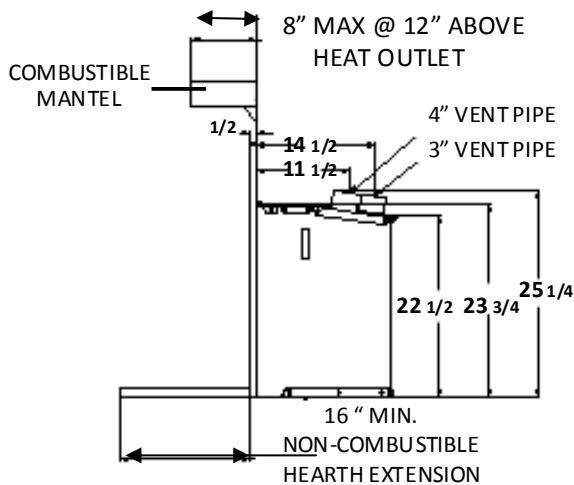
Minimum Allowable Fireplace Opening:  
34" wide X 24" high X 17" Deep



<b>FV-44i Faceplate Dimensions</b>				
	A		B	
	Inches	mm.	Inches	mm.
No Trim	31	788	44	1118
	33	838	48	1220
	36	914	52	1321
With Black or Brass Trim	31 1/16	792	44 1/8	1122
	33 1/16	843	48 1/8	1224
	36 1/16	920	52 1/8	1326



The solid-fuel fireplace chimney must be clean and in good working order and is constructed on non-combustible materials  
Chimney cleanouts must fit properly.  
The refractory, glass doors, screen, and log grates can be removed from the solid-fuel fireplace to accommodate the gas insert.  
Smoke shelves, shields, and baffles can be removed if attached with mechanical fasteners.  
Trim panels and surrounds shall not seal ventilation openings in the fireplace.  
**WARNING:** Failure to position the parts in accordance with these diagrams or failure to use only parts specifically approved with this appliance may result in property damage or personal injury.  
Cutting of any sheet metal parts on the solid-fuel fireplace is prohibited.



**NOTE:** Installer must attach the supplied warning label, included in the instruction packet, to the inside of the fireplace before installing insert.

## INSTALLATION INSTRUCTIONS

**CAUTION:** Each installation must conform to all local, state and national codes. Refer to the national fuel gas code and local zoning and code authorities for details on installation requirements. The Mendota Inserts must be vented to the outside in accordance with the latest edition of the National Fuel Gas Code. In the absence of local codes, the installation must conform with National Fuel Gas Code ANSI Z223.1 (NFPA 54), or Canadian Code CAN1-B149 or most current edition, also known as NFPA 54. Do not connect this Insert to a chimney flue serving a separate solid fuel or gas-burning appliance.

1. Remove glass doors, metal fire screens, etc. from existing fireplace. Be sure there is 12" minimum distance from top of upper grill to bottom of mantel; see Specifications (Pg.6 & 5), and a 16" minimum non-combustible hearth extension in front of the glass surface if a raised hearth is not supplied. (See pg. 11 for "Raised Hearth").
2. Remove any additional framework or other obstructions in the existing fireplace opening and burning area. Also remove any chimney cap from top of chimney so that vent liner can be installed freely.
3. Before Insert is installed, have gas supplier or contractor run gas line to the existing fireplace. Be sure gas plumbing instructions [see Pg. 12 & 13 are carefully followed. Gas supply may enter fireplace on either side or back of fireplace, whichever is most convenient and accessible. Electrical service (120 volt) should also be supplied [See electrical requirements on Pg. 5 and blower instructions on Pg. 38].
4. The entire chimney should be swept to remove creosote, soot and any obstructions (bird nests, etc.).
5. Open fireplace damper. If damper opening is large enough to accept the 4" and 3" flue liners, permanently secure damper in "open" position. **NOTE:** *Massachusetts requires that the flue damper must be removed or permanently welded in the "open" position.*
6. If damper opening is too small for the 4" & 3" flue liners, it will be necessary to remove the damper handle and the damper plate. Some damper plates are held in place by a pinned hinge that can be released easily by tapping out the pin with a hammer and punch. Others may be held in place by a screw or bolt, or pivots may be cast into the damper housing. The latter types may be harder to get out and may require sawing or breaking out. [NOTE: if flue size is 6" (127 mm) or less, or if severe offsets occur, or a significant mortar slop is evident between the liners, try to snake liner down the chimney to the top of the damper housing before breaking out damper plate and housing.]

**CAUTION:** If the 4" & 3" flue liners cannot be installed in an extremely tight chimney DO NOT proceed with installation.

7. If damper opening is narrower than 4-1/2" to 5" (114 mm to 127 mm) and if local code authorities allow, loosen and remove mortar behind back side of damper housing in the center of the opening enough to get the gripping teeth of a pipe wrench over the flange of the damper housing (for cast iron housings). Tighten the wrench snugly, and kick down on the wrench handle to break out a half moon shaped piece of the damper housing, enough to easily fit the flex liner through it. If the opening is wide enough, the break out is not necessary.
8. **Install Insert only in chimney heights of 12' (minimum) to 35' (maximum) -- as measured in step 9 below.**
9. Measure the chimney height from the top of the chimney (or the existing flue liner) to a point 24" (610 mm) above the floor of the fireplace hearth. It may be necessary to drop a rope and measure the rope itself. Be sure to allow for all offsets in existing chimney. Cut the 4" and 3" diameter flex liner (s) to this measured length.



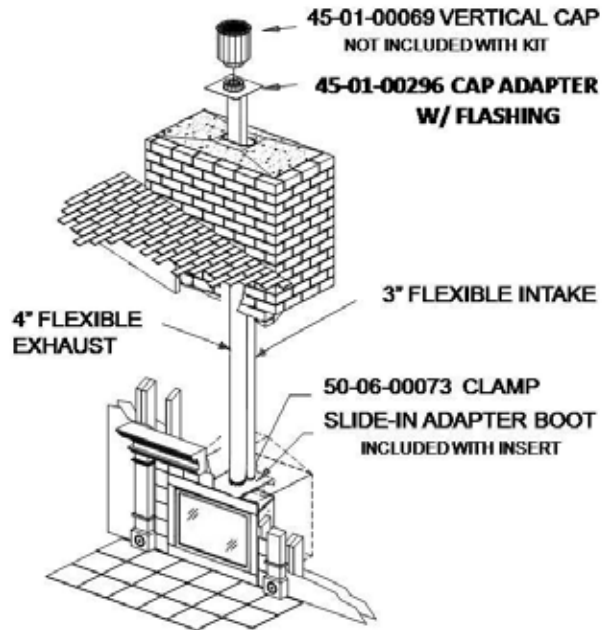
## FLUE VENTING

The FV-44i Insert must be vented vertically to the outside and must use the Mendota Co-Linear flexible ducting system.

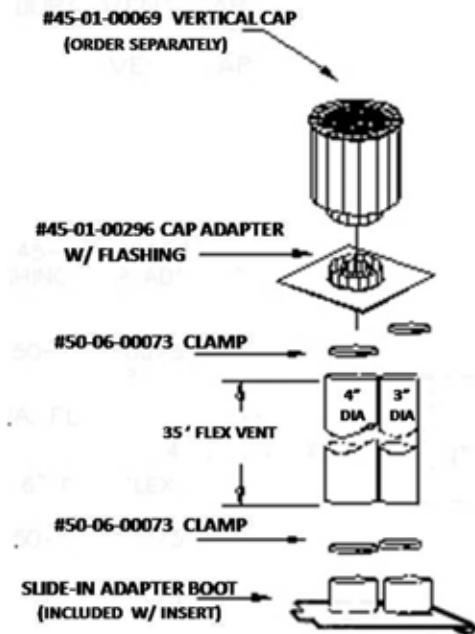
**NOTE:** THE INSERT IS DESIGNED, TESTED AND LISTED FOR OPERATION ONLY WITH MENDOTA INSERT VENTING COMPONENTS AS LISTED IN FIGURES BELOW:

### CO-LINEAR VENT KIT

Part # 45-01-00295



### #45-01-00295 VENT KIT COMPONENTS



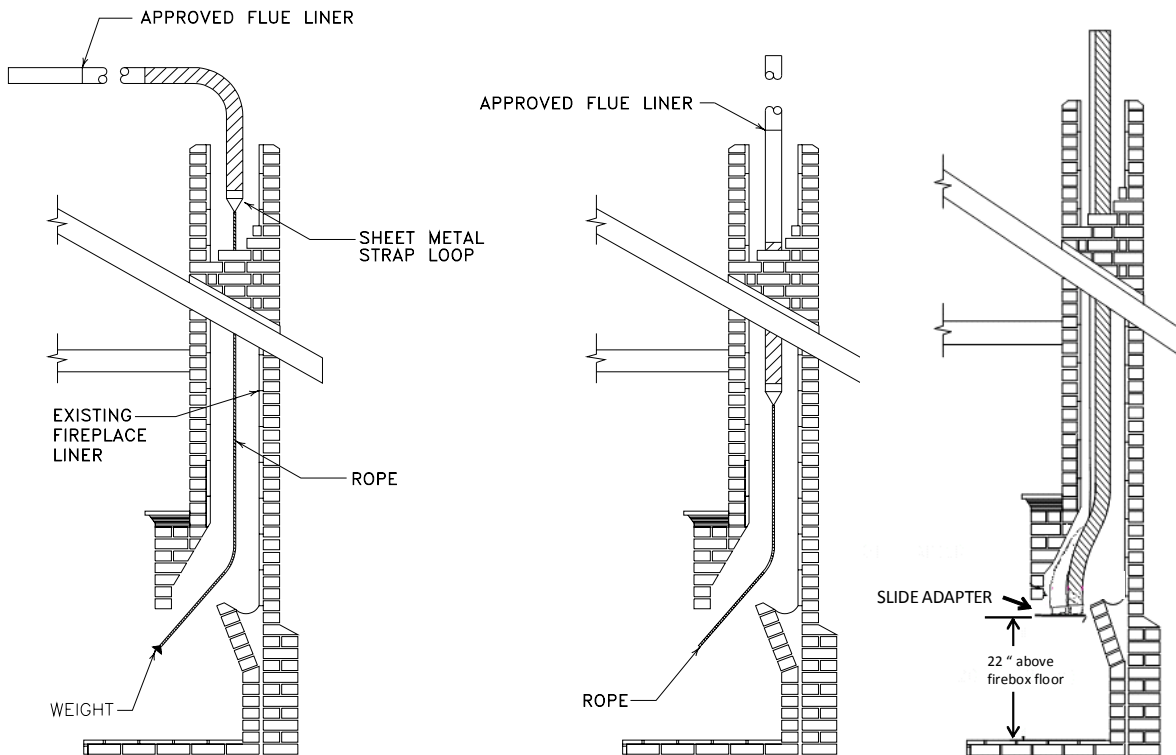
## Chimney Flashing and cap

(See FIGURE BELOW) The vent kits include a trim-able flashing. Measure, trim and shape flashing to fit the existing flue liner. This flashing prevents water and small animals from entering area between the chimney liner and flue liner. Plan for 1" to 1-1/2" (25 mm to 38 mm) overlap on each side. Center the flashing and mark it about 3" (75 mm) larger in each dimension than the existing chimney. Trim the notch with snips and bend edges with hand seaming tool, metal break or pliers.



12. Attach a sheet metal strap loop to the flex end of the liner(s) and tie a rope to it. Two installers should proceed to the roof and drop the rope (with weight on the end to make sure it goes all the way down) and insert the liner(s) past the flexible portion, into the existing chimney – SEE BELOW:

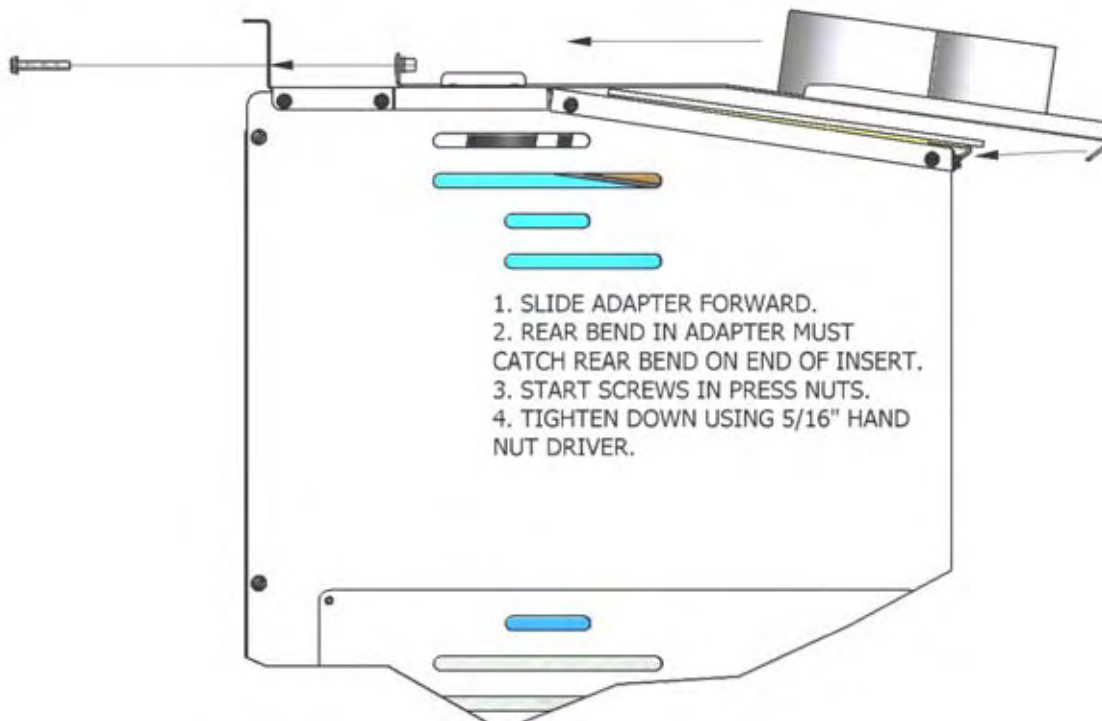
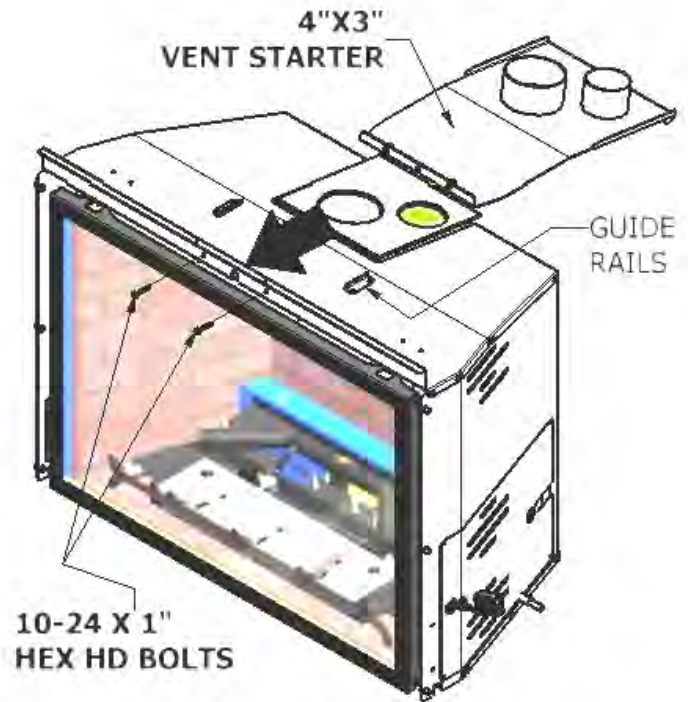
NOTE: Repeat this step for second liner.



13. One installer should then return to the fireplace opening and pull the rope to guide the liner(s) into place through the smoke shelf and the damper opening to a point 22" (560 mm) above the fireplace hearth. The person below should wear leather gloves and Safety Glasses during this process to avoid being cut and to safeguard eyes from flying debris.

**CAUTION: WHEN USING FLEX ALUMINUM LINER, USE EXTREME CAUTION WHEN STRETCHING LINER AROUND OFFSETS SO AS NOT TO RUPTURE LINER.**

14. Remove the Vent Adapter by removing two 5/16" Hex Bolts and sliding Vent Adapter towards rear of Insert.
15. Tightly secure 3" and 4" flex vents with clamps provided. Seal vent cap/flashing to top of chimney with weatherproof sealer. Seal areas between flex pipes and existing chimney, at damper area, with unfaced fiberglass insulation.
16. Carefully slide Insert into the fireplace opening (Note: Plug in the AC Power cord to a 110 volt AC receptacle inside the fireplace opening or extend it out and connect to a grounded wall outlet.
17. Slide Vent Adapter forward between guide rails. Vent Adapter's front flat section should contact insert top as you slide the Vent Adapter forward.
18. Use Glass Latch Tool to grab Vent Adapter through slot and hole provided. As you apply downward pressure, pull Vent Adapter forward until front flange on Vent Adapter is about 1/2" away from front lip on Insert.
19. Slide 5/16" Hex Bolts through holes in face of Insert and start one Bolt in each of the two press nuts on Vent Adapter Flange. Using a 5/16" Hex Hand Driver, tighten the hex bolts a few turns at a time alternating between the two hex bolts until the screws are hand tight and vent adapter is pulled fully forward.



18. You are now ready to hook up the Insert to gas supply. Be sure gas plumbing instructions and all state and local codes have been carefully followed. Be sure all items on Installation Check-Off List have been completed.

NOTE: AGA APPROVED FLEX LINES ARE APPROVED FOR USE WITH MENDOTA INSERTS.

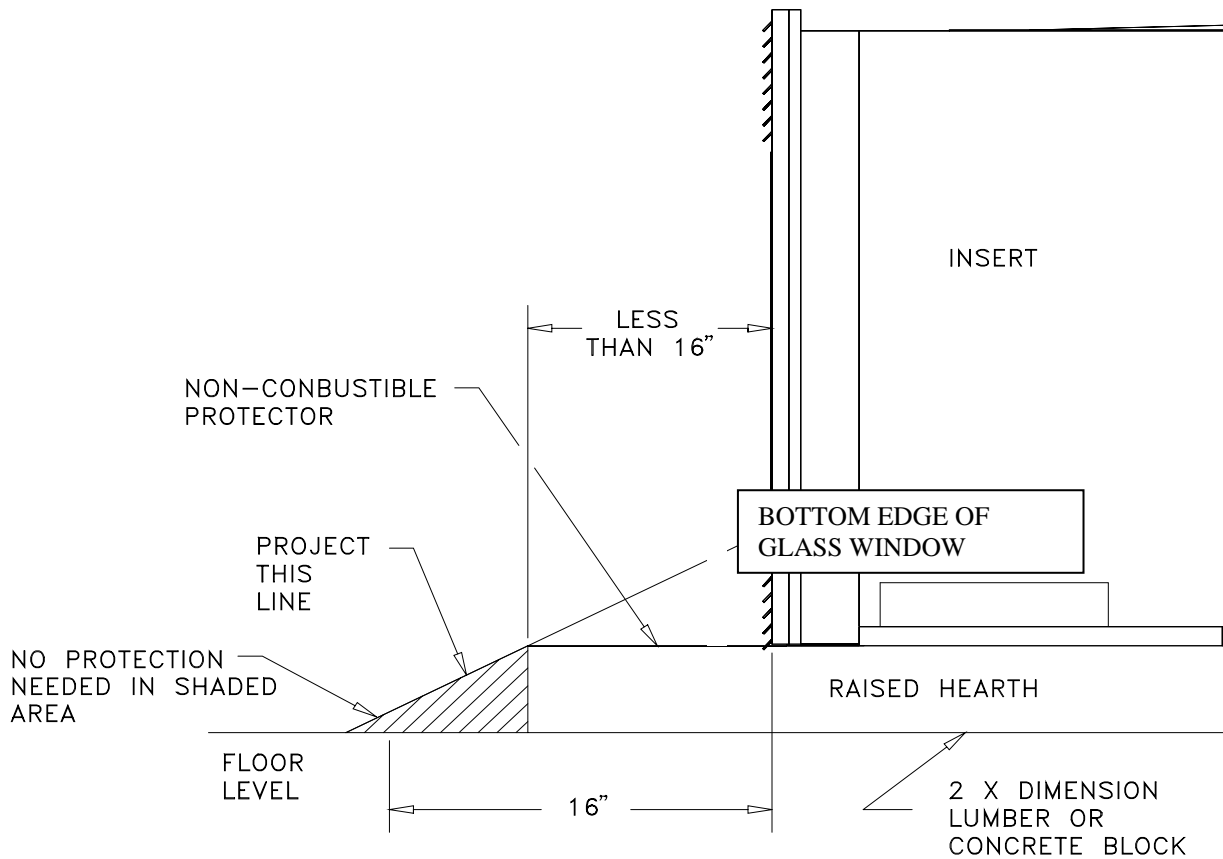
19. Carefully slide the Insert into place in the fireplace opening. At this time, check that Insert is level and plumb with the fireplace opening and positioned in the middle of the opening. If Insert is unsteady or needs leveling, the unit may need to be "shimmed with washers under the bottom corners of insert.

20. The proper Insert Faceplate can now be placed in position. Assemble surround by following instructions supplied with faceplate kit. Select the appropriate size of faceplate to cover the area between the Insert and existing fireplace opening.

**...IMPORTANT...**

**INSTALLATION, SERVICING AND REPAIR MUST BE DONE BY A QUALIFIED SERVICE PERSON. THE INSERT SHOULD BE INSPECTED AT LEAST ANNUALLY BY A PROFESSIONAL SERVICE PERSON. MORE FREQUENT CLEANING MAY BE REQUIRED DUE TO EXCESSIVE LINT FROM CARPETING, BEDDING MATERIAL, ETC. IT IS IMPERATIVE THAT THE CONTROL COMPARTMENT BURNERS AND CIRCULATING AIR PASSAGEWAYS OF THE INSERT BE KEPT CLEAN.**

**RAISED HEARTH SPECIFICATIONS**



In most installations, a 16" non-combustible protector is required in front of the unit's glass door surface on the floor or raised hearth. This protection can be any non-combustible material such

as 24-gauge sheet metal, tile, brick, concrete board, etc. Please note that the required 16" clearance starts at the front face of the glass door. If replacing a wood-burning insert with this gas insert, the existing and approved hearth protection will provide adequate floor protection.

If a raised hearth extends less than 16", refer to the diagram above and the following procedure to see if additional floor protection is required.

Project a line (using string or a tape measure) from the lower edge of the glass window to the edge of the raised hearth, continuing on to the floor. If the point of intersection with the floor is beyond 16" from the Insert, then no further floor protection is required. If the intersection is less than 16" from the Insert then additional non-combustible floor protection is required to meet the minimum 16".

For installations where the fireplace is raised 16" or more above the floor, or if the existing floor is non-combustible (stone, brick, etc.), a non-combustible protector is not required.

### GAS SUPPLY REQUIREMENTS

***NOTE: IF INSERT IS TO BE OPERATED WITH LP GAS, SEE PAGE 34 BEFORE PROCEEDING.***

CORRECT GAS PRESSURE AND PROPER GAS SUPPLY LINE SIZING IS IMPERATIVE TO THE SUCCESSFUL PERFORMANCE OF YOUR ENDOTA GAS FIREPLACE INSERT. BE SURE THE GAS SUPPLIER OR PLUMBER CAREFULLY CHECKS FOR CORRECT GAS PRESSURE AND GAS LINE SIZING WHEN INSTALLING THE FIREPLACE INSERT.

IT IS CRITICAL TO CAREFULLY CHECK FOR GAS LEAKS WHEN HOOKING UP THE FIREPLACE INSERT -- CHECK WITH SOAP & WATER SOLUTION. BE SURE TO INSTALL FLEX GAS LINE WITH BRASS-TO-BRASS FITTINGS TO PREVENT GAS LEAKS AT CONNECTIONS.

GAS SUPPLY PIPING MUST INCLUDE A DRIP LEG TO ELIMINATE THE POSSIBILITY OF CONTAMINANTS ENTERING THE GAS TRAIN. ADHERE STRICTLY TO LOCAL AND NATIONAL CODES.

#### **GAS SUPPLY LINE SIZING**

The Mendota Gas Insert comes equipped with a 3/8" N.P.T. [1.0 cm] inlet on the main gas valve. Gas supply piping may enter the cabinet from either the left or rear side. A 48" X 3/8" SS Flex supply line is supplied in the Manual Packet with this Insert.

The proper gas line diameter must be selected to run from the supply regulator to the Insert. Refer to the following table for proper gas pipe diameters.

PIPE LENGTH [FEET]	SCHEDULE 40 PIPE INSIDE DIA.		TUBING, TYPE L OUTSIDE DIA.	
	<i>NAT.</i>	<i>L.P.</i>	<i>NAT.</i>	<i>L.P.</i>
0-10	1/2" [1.3 cm]	3/8" [1.0 cm]	1/2" [1.3 cm]	3/8" [1.0 cm]
10-40	1/2" [1.3 cm]	1/2" [1.3 cm]	5/8" [1.6 cm]	1/2" [1.3 cm]
40-100	1/2" [1.3 cm]	1/2" [1.3 cm]	3/4" [2.0 cm]	1/2" [1.3 cm]
100-150	3/4" [2.0 cm]	1/2" [1.3 cm]	7/8" [2.3 cm]	5/8" [1.6 cm]
150-200	3/4" [2.0 cm]	1/2" [1.3 cm]	7/8" [2.3 cm]	3/4" [2.0 cm]

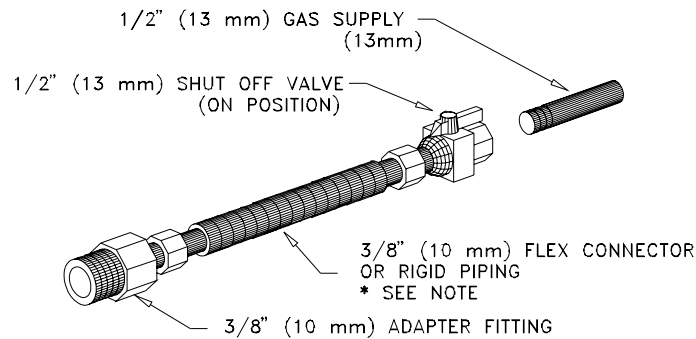
**NOTE:** Some areas allow copper tubing or galvanized pipe - check with local approval agencies and codes *NEVER* use plastic pipe.

## **GAS PRESSURE CHECKING REQUIREMENTS**

A pressure tap for checking gas pressure is located on the main gas valve. A qualified installer should use this fitting for setting the correct gas pressure during initial installation. [See Gas Pressure Chart Pg. 13].

If supply gas pressures exceed 1/2 PSIG [3.5KPA], the appliance must be isolated from its supply with an approved manual shut-off cock. This manual shut-off cock must be closed during any supply line pressure testing. Check with your gas supplier or plumber.

If the factory-built fireplace has no gas access hole(s) provided, an access hole 1.5" or less may be drilled through the lower sides or bottom of the firebox in a proper workmanship like manner. This access hole must be plugged with non-combustible insulation after the gas supply line has been installed.



SUGGESTED PIPING CONFIGURATION  
(SUPPLIED BY MANUFACTURER)

- NOTE: DO NOT DAMAGE OR KINK THE FLEX CONNECTOR  
CHECK FOR GAS LEAKS WITH SOAP AND WATER SOLUTION.
- \* NOTE: 3/8" (10 mm) FLEX OR RIGID PIPING MAY BE USED TO CONNECT  
GAS SUPPLY TO UNIT DEPENDING ON STATE AND LOCAL CODES.
- NOTE: BE SURE TO INSTALL FLEX GAS HOSE WITH BRASS-TO-BRASS  
FITTINGS TO PREVENT LEAKS AT CONNECTION.

## GAS PRESSURE REQUIREMENTS

One major cause of operating problems with gas appliances can be improper gas pressure!

Such problems as changes in flame color or configuration, gas pilot or burner outages, intermittent operation, changes in heat output, excessive burner noise, etc. are nearly always the result of changes in gas pressure or improper gas pressure at the time of the installation. The most important item to check during the installation and the first thing to check when problems occur is gas pressure!

Gas supplies normally enter a residence at 1/2 PSI (13" - 15" W.C.) (3. KPA). A regulator is then placed inside the residence, which drops this pressure to 7" W.C. (1.8 KPA) (Nat. Gas). This "inches to inches" regulator is of adequate capacity to service the gas appliances (such as dryer, furnace, etc.). If this regulator's capacity is not sufficient to add the Gas Fireplace, an additional "inches to inches" regulator must be installed for the Fireplace. EXCEPTION: Some codes allow 2-PSI (1.4KPA) supplies to enter the residence, in which case "pounds to inches" regulators are used.

The following table provides information on correct gas pressure requirements. Be sure your gas supplier or plumber carefully follows this table.

	DESIRED INLET PRESSURE	MINIMUM INLET PRESSURE	MAXIMUM INLET PRESSURE
NATURAL GAS	7.0" W.C. (1.75 kPa)	5.0" W.C. (1.12 kPa)	11" W.C. (2.61 kPa)
L.P. GAS	11.0" W.C. (2.75 kPa)	11" W.C. (2.75 kPa)	13.0" W.C. (3.24 kPa)

TURN GAS VALVE KNOB TO "HIGH" POSITION. GAS PRESSURES MAY VARY PLUS OR MINUS 5%.

\*NOTE: FOR HIGH ALTITUDE (ABOVE 5,000 FEET) SOME VARIATIONS IN AIR SHUTTER SETTINGS MAY BE REQUIRED.

Manifold pressure must be taken at the "MANIFOLD" tap and inlet pressure at the "SUPPLY" tap **with the burner operating** by a qualified installer.

**GAS LEAK TEST REQUIREMENT:** It is the responsibility of the installer/service person to assure that each and every gas connection and supply tubing that are a part of this fireplace are leak proof. The qualified/ certified individual connecting the gas supply line, performing pressure tests or performing any service to this fireplace is required to perform a THOROUGH LEAK TEST on ALL gas fittings that are a part of this appliance or the gas supply line connection using soap-water solution or a calibrated combustible gas detector. Failure to perform this leak test may lead to a house fire and/or an explosion. Mendota is not responsible for any damages due to an Installer's failure to conduct a leak test and verify that all connections and supply lines are leak proof.

**WARNING:** Do not operate appliances with glass front removed, cracked, or broken. Replacement of glass should be done a licensed or qualified service person.

**Note:** Consult the local or national installation code(s) to assure that adequate combustion and ventilation air is available.

## HIGH ALTITUDE INSTALLATIONS

For installations from 610-1370 meters (2000-4500 ft.) the orifice sizes (DMS) for natural gas are #43 Front/#46 rear and for propane gas are #55 front/#54 rear. See data plate for additional information. For high altitude installations consult the local gas distributor or the authority having jurisdiction for proper rating methods. If the installer must convert the unit to adjust for varying altitudes, the information sticker must be filled out by the installer and adhered to the appliance at the time of conversion.

«Cet appareil est équipé pour des altitudes comprises entre 0 et 2000 pieds (0-610 m) seulement»

This appliance has been converted for use at an altitude of _____	
Orifice size _____	Manifold Pressure _____
Input (Btu/h) _____	Fuel Type _____
Date of conversion _____	Converted by _____
«Cet appreeil a été converti au _____	
Injecteur _____	
Pression à la tubulure d'alimentation _____	
Déoit calorifique _____»	



## INSTALLATION CHECK OFF LIST

*The following check list must be completed prior to initial lighting of the Fireplace Insert, or manufacturer's warranty and liabilities will be voided:*

- Venting system must be installed by a Mendota approved person according to Figure 3, Pg. 8 with clamps securely in place and all joints leak proof.
- Electrical supply and gas supply must be properly installed and must conform to National and Local Codes.
- Check that correct fuel supply is connected to appliance. Check correct gas pressure, correct size gas lines and for gas leaks on all gas supply connectors and this gas insert's gas valve train connectors.
- Proper clearances to combustibles must be maintained.
- LEAK TEST REQUIREMENT:** Vibration during shipping and transit of this appliance may cause some gas connections to loosen. All gas train connections in this appliance, including field installed supply line fittings and all factory installed gas train connections between the gas valve and the burner orifice(s) and pilot light, must be leak tested prior to first firing using soap and water solution or a calibrated Combustible Gas Detector. All leak tests are to be performed by a qualified installer. It is the responsibility of the installer to verify that all connections are sealed properly and leak-proof.

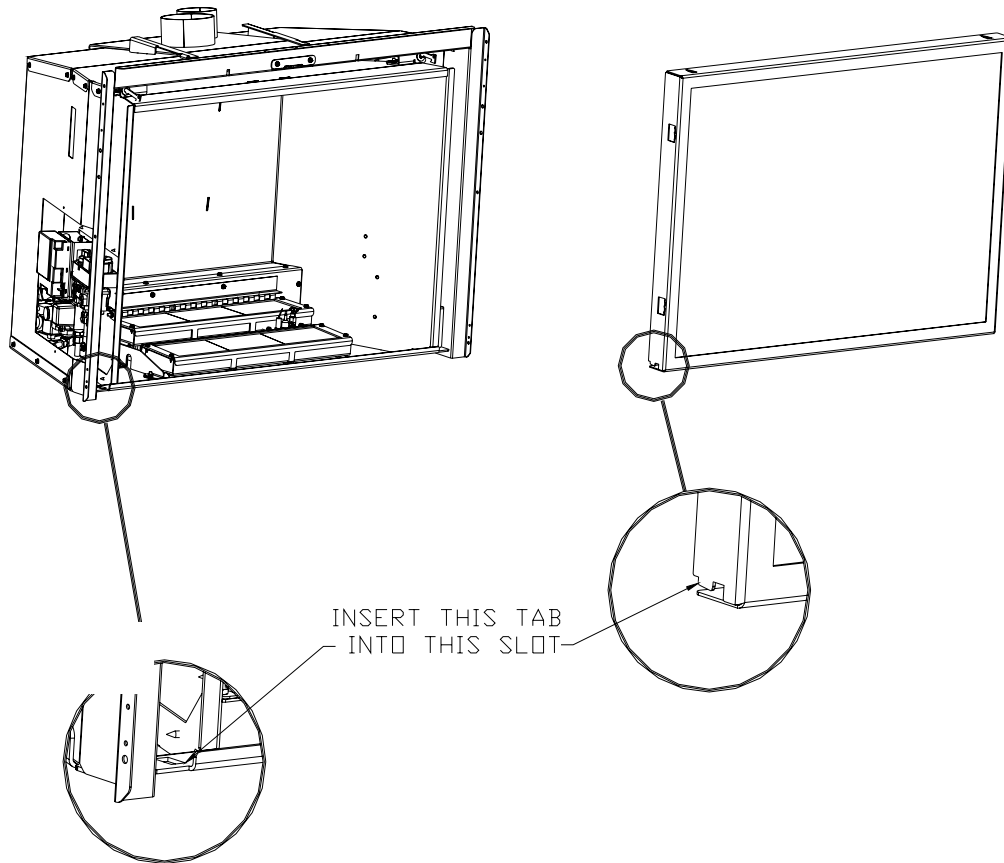
## LIGHTING CHECK OFF LIST

*Be sure to check these items before final operation of the Fireplace Insert*

- All items on "Installation Check Off List" must be completed.
- Connect Rocker Switch, Wall Switch, Remote Control or Thermostat to main valve.
- Carefully follow all lighting and log installation instructions. Make certain that burner lights immediately and lights both front and rear burners.
- DO NOT proceed with operation unless burner cycles "on/off" without delays and the flame is "stable" and not "lifting" off burner.
- Caution: If pilot goes out be sure to wait a minimum of 5 minutes before relighting.

## DOOR REMOVAL AND REPLACEMENT

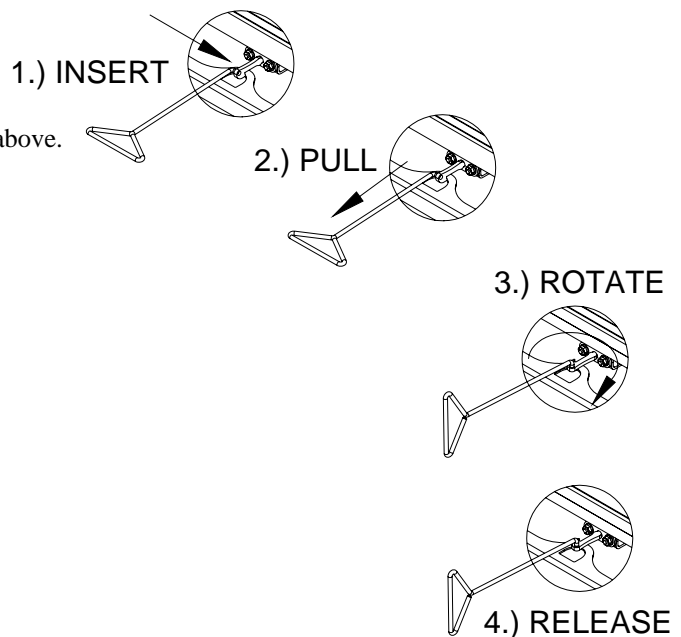
**CAUTION:** Do not operate the appliance with glass removed, cracked or broken. Replacement of the panel(s) should be done by a licensed or qualified service person.



### To Unlatch Glass Frame Latches:

1. Insert Glass Latch Tool into hole in latch (two latches exist at top of glass frame).
2. Pull Glass Latch Tool outward about 3/8".
3. Rotate Glass Latch Tool 90 degrees.
4. Release Glass Latch Tool.
5. Remove Glass Latch Tool.

**To Latch Glass Frame Latches**, reverse steps 5 to 1, above.



# FV-44i LOG SET INSTALLATION INSTRUCTIONS

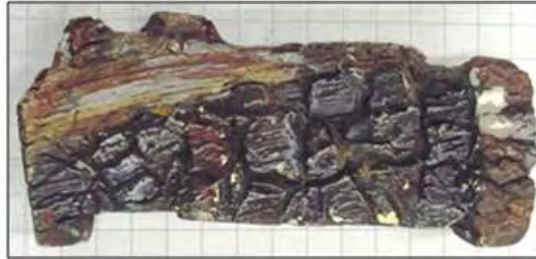
FOLLOW EACH STEP DEPICTED IN THE DIAGRAMS, BELOW, TO INSTALL THE LOG SET.

**CAUTION:** LOGS ARE FRAGILE, HANDLE LOG PIECES WITH CARE.

## FV-44i LOG SET PARTS IDENTIFICATION DIAGRAM



**LOG #1: REAR LOG**  
#35-01-00529



**LOG #2: MID LOG**  
#35-01-00536



**LOG #3: LEFT LOG**  
#35-01-00530



**LOG #4: RIGHT LOG**  
#35-01-00531



**LOG #5: LEFT TOP MID LOG**  
#35-01-00533



**LOG #6: RIGHT TOP MID LOG**  
#35-01-00532

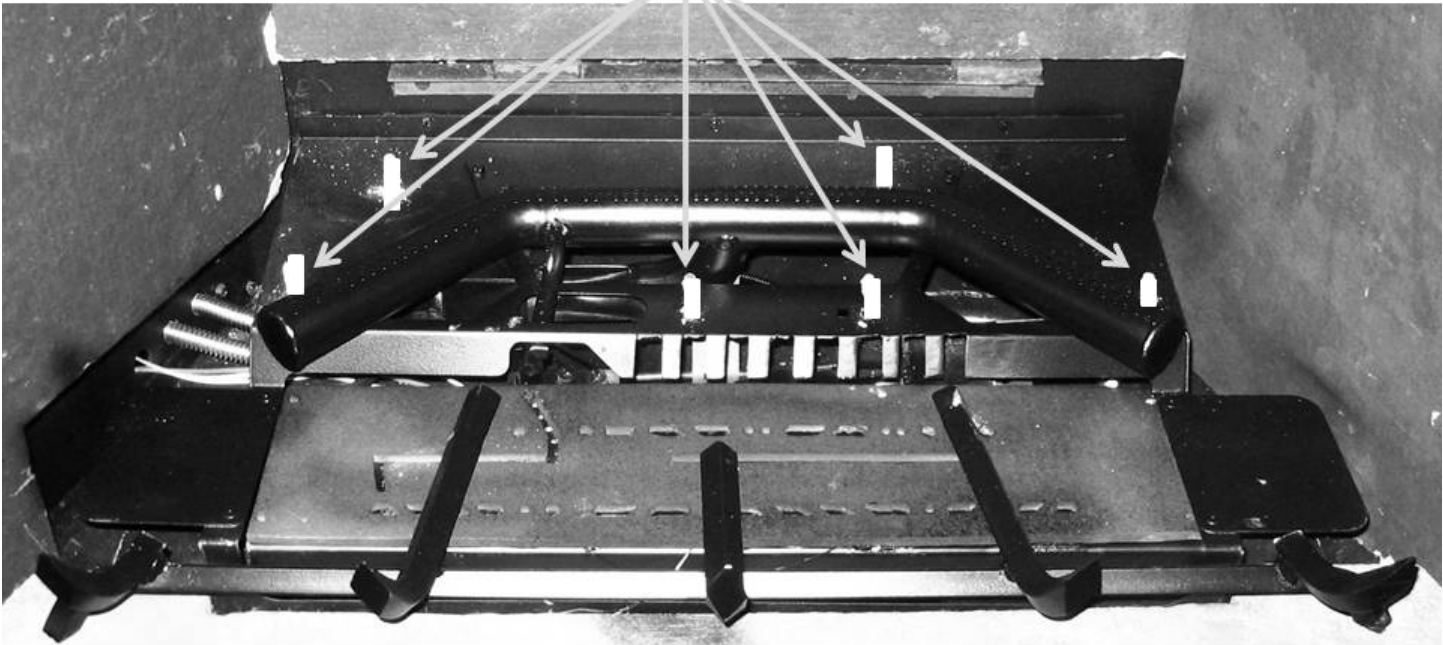


**LOG #7: LEFT FRONT TOP LOG**  
#35-01-00535

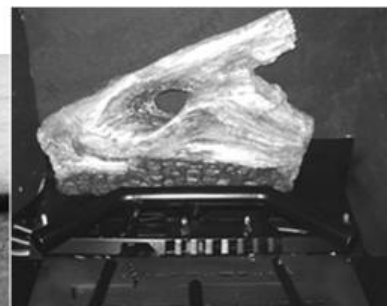


**LOG #8: RIGHT FRONT TOP LOG**  
#35-01-00534

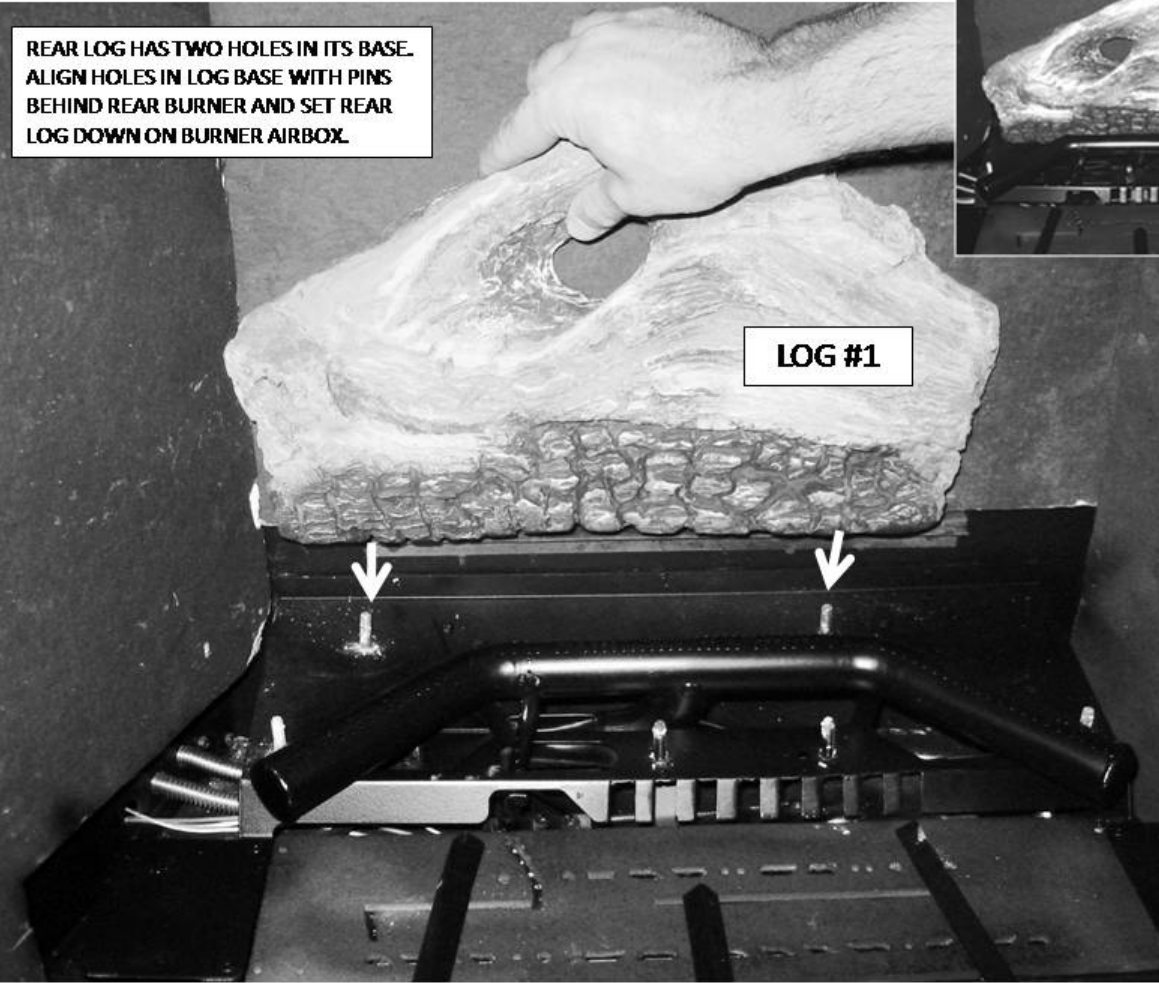
LOG PIECES LOCATER PINS



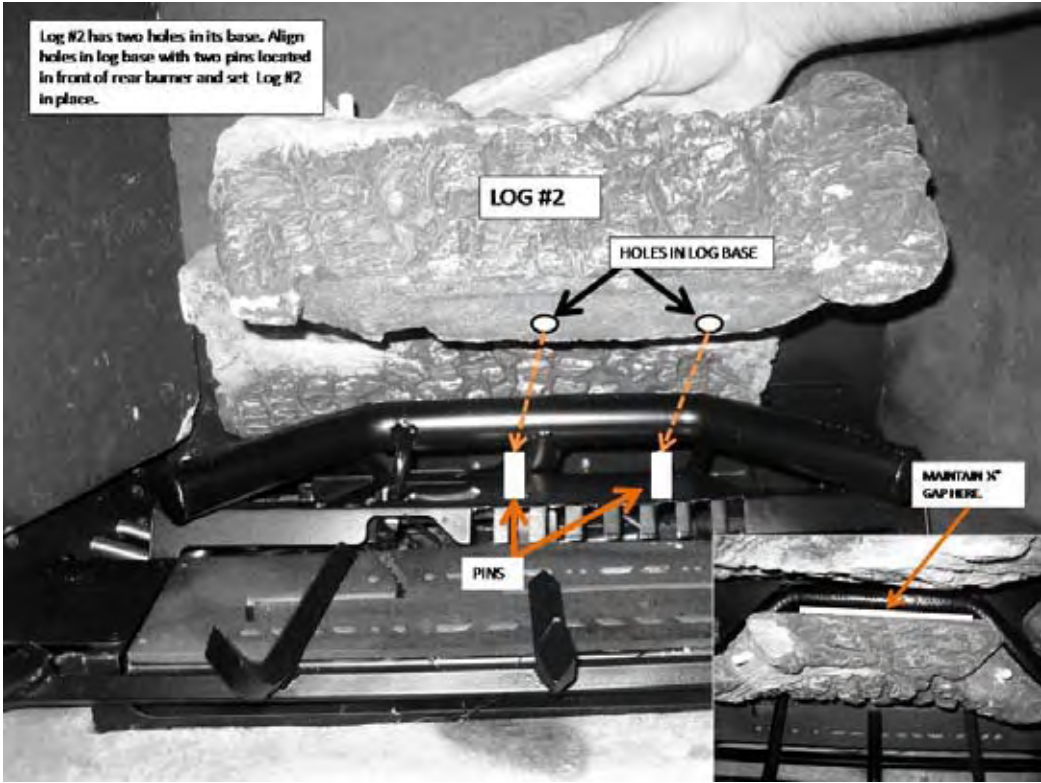
REAR LOG HAS TWO HOLES IN ITS BASE. ALIGN HOLES IN LOG BASE WITH PINS BEHIND REAR BURNER AND SET REAR LOG DOWN ON BURNER AIRBOX.



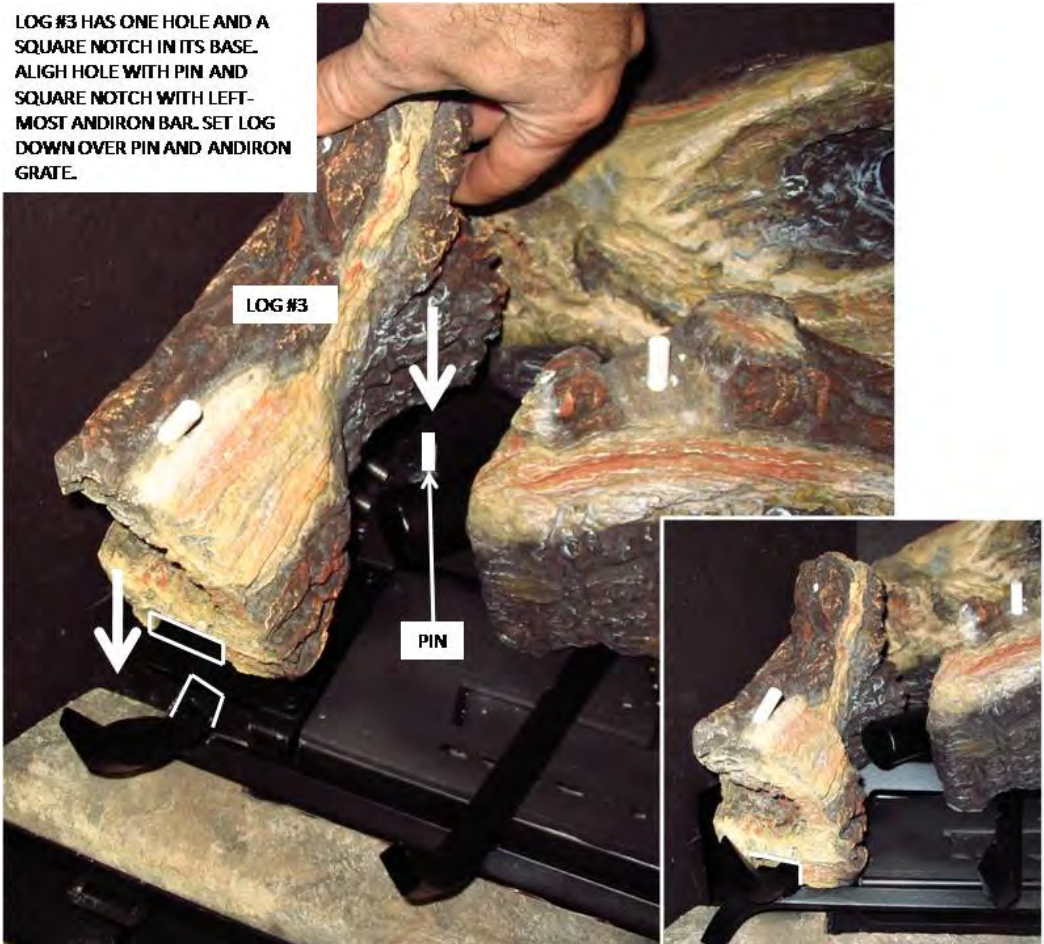
LOG #1







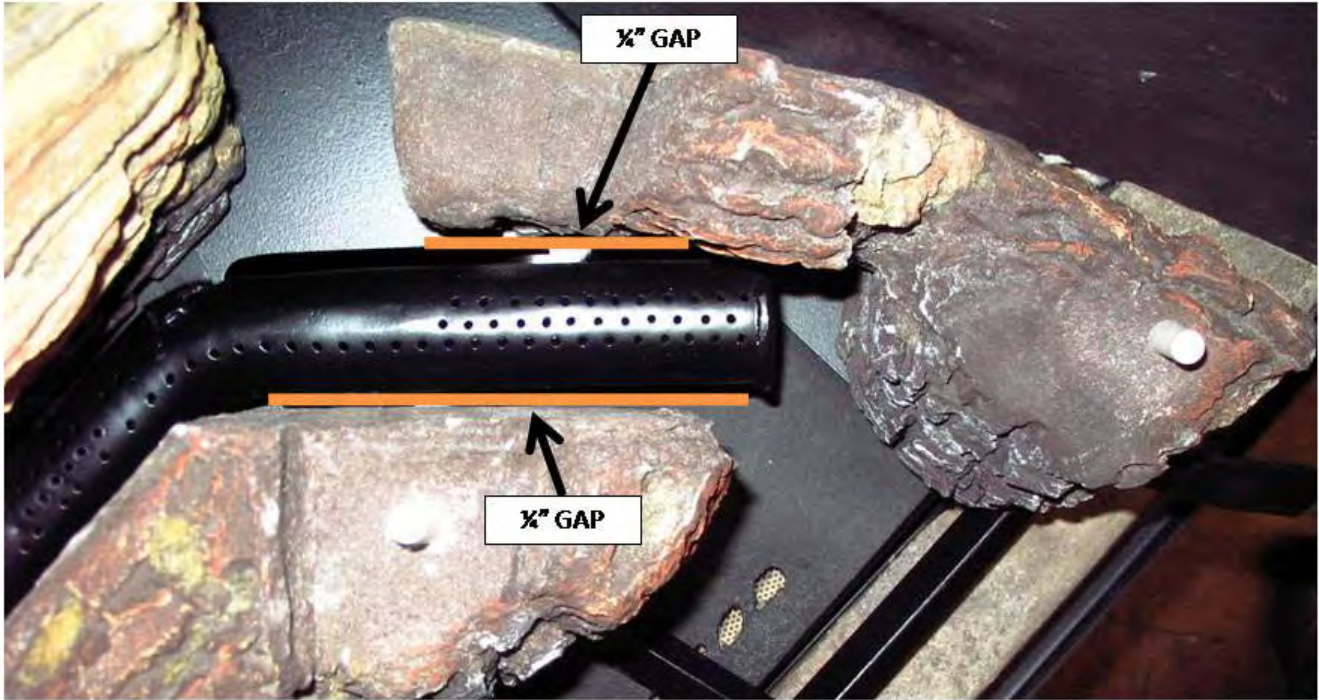
LOG #3 HAS ONE HOLE AND A SQUARE NOTCH IN ITS BASE. ALIGN HOLE WITH PIN AND SQUARE NOTCH WITH LEFT-MOST ANDIRON BAR. SET LOG DOWN OVER PIN AND ANDIRON GRATE.



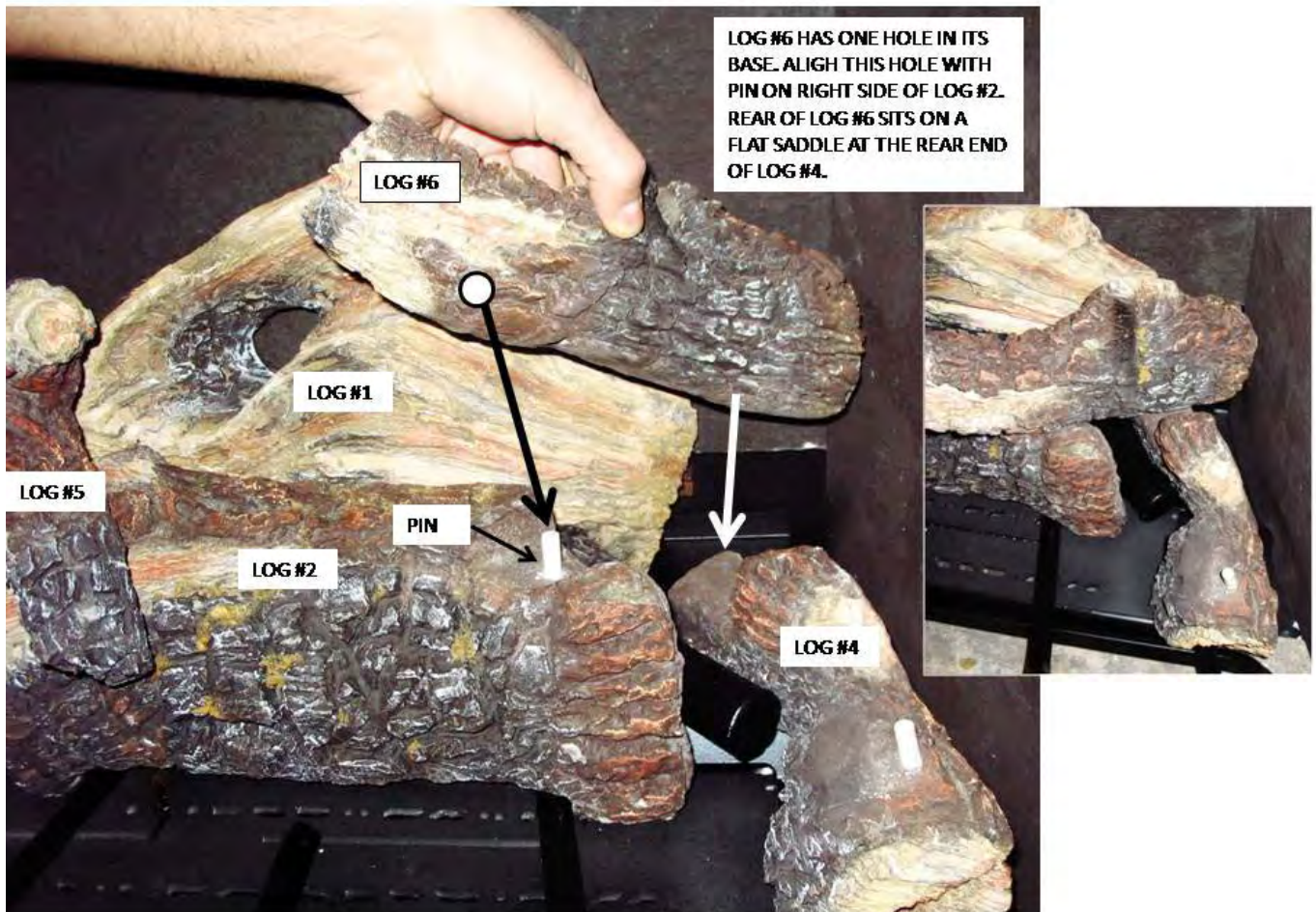
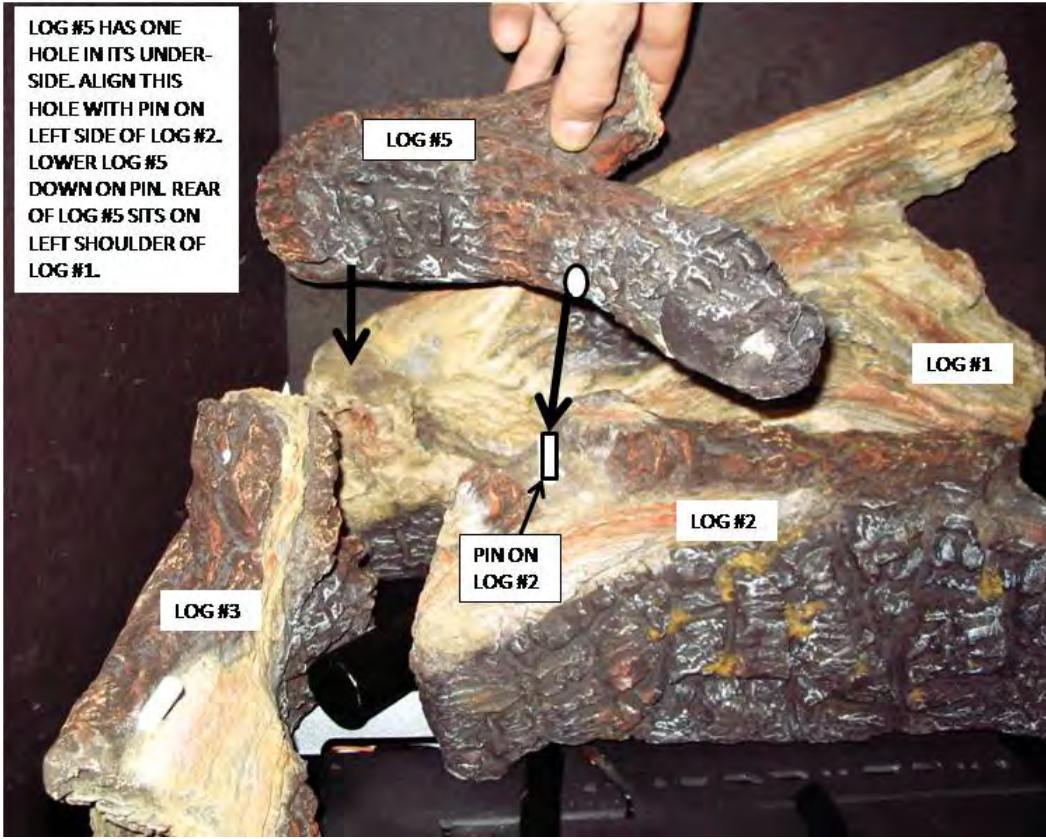




LOG #4 HAS ONE HOLE IN ITS BASE AND A SQUARE NOTCH IN ITS FRONT FACE. ALIGN HOLE WITH PIN AND SQUARE NOTCH WITH RIGHT-MOST ANDIRON BAR. LOWER LOG #4 IN PLACE.









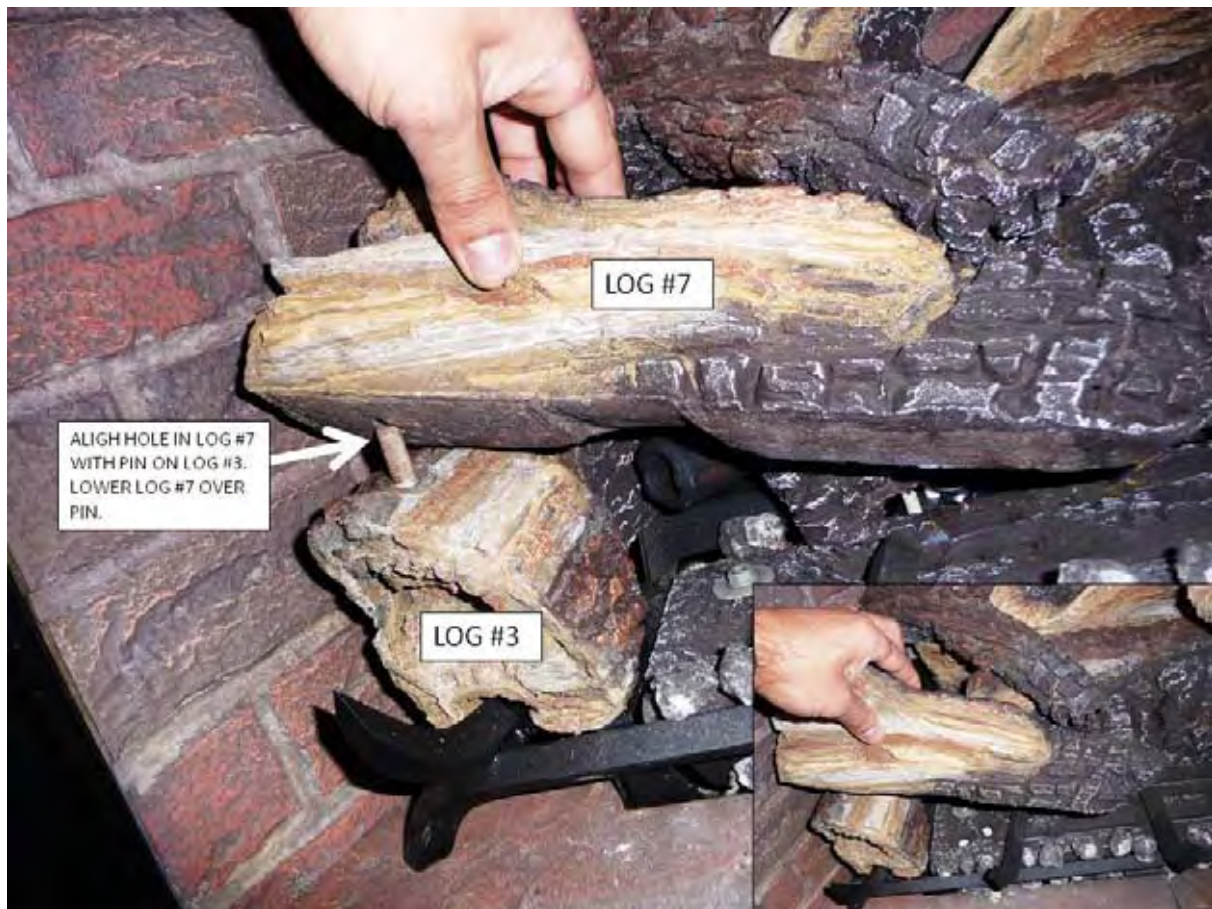


PLACE SMALL COALS LOOSELY ALONG GRATE BAR ONLY.

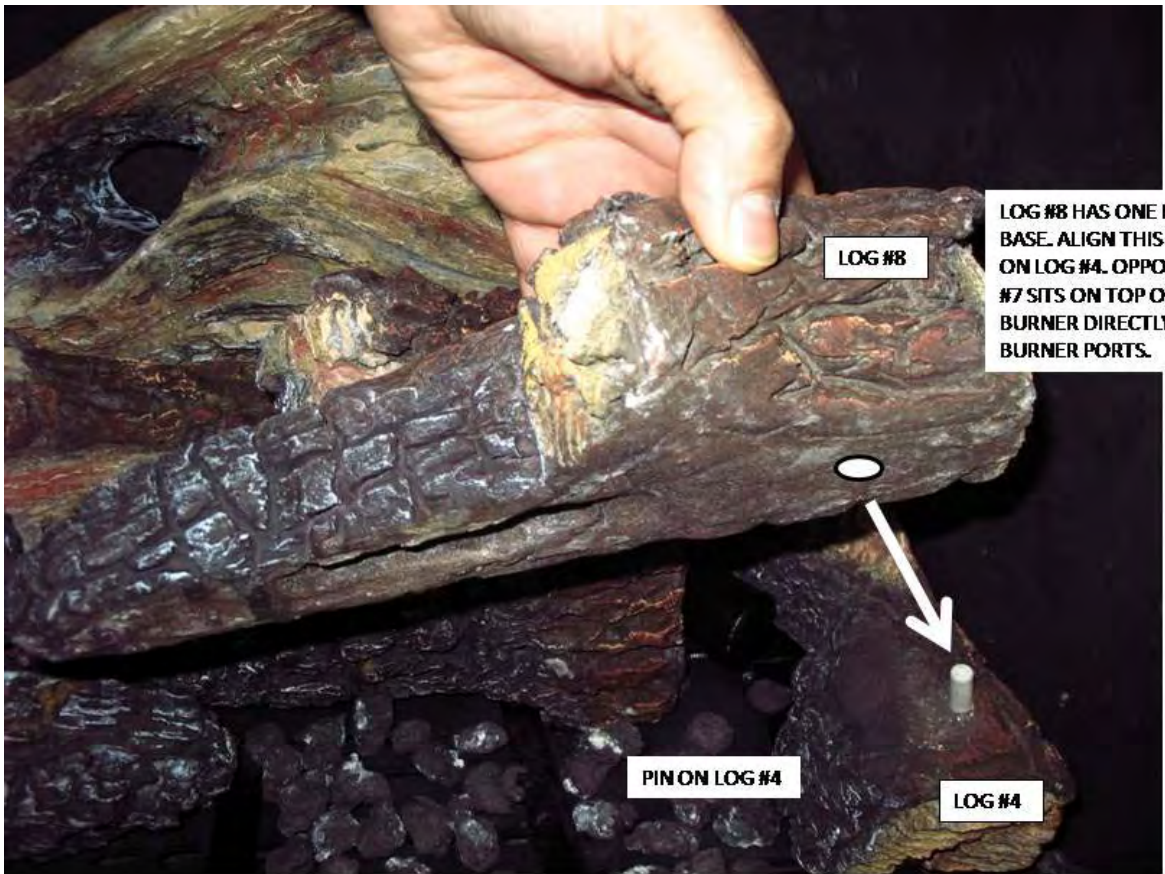


USING A TOOTHBRUSH, BRUSH INSWOOL LIBERALLY OVER BURNER EMBER BED AND CENTER LOG. AVOID DEPOSITING EXCESSIVE INSWOOL INSIDE BURNER PORTS.

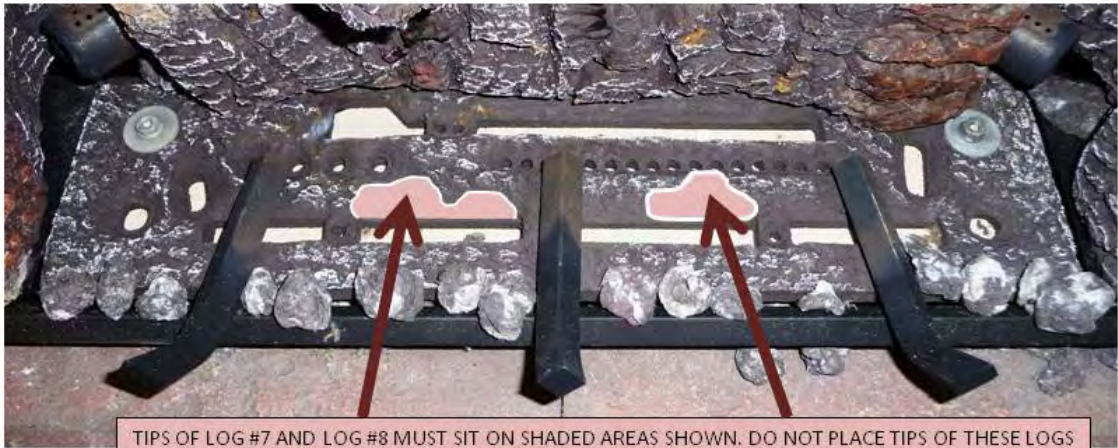








LOG #8 HAS ONE HOLE IN ITS BASE. ALIGN THIS HOLE WITH PIN ON LOG #4. OPPOSITE TIP OF LOG #7 SITS ON TOP OF FRONT BURNER DIRECTLY BEHIND FRONT BURNER PORTS.



TIPS OF LOG #7 AND LOG #8 MUST SIT ON SHADED AREAS SHOWN. DO NOT PLACE TIPS OF THESE LOGS ON TOP OF BURNER EMBER BED'S GAS PORTS.





USING A TOOTHBRUSH,  
BRUSH INSWOOL LOOSELY  
OVER FRONT BURNER AND  
OVER CHARRED AREAS OF  
FRONT LOGS.

PLACE SMALL COALS ON TOP OF FLOOR  
BRICK PANELS AND CLOSE TO GRATE  
BOTTOM TO SIMULATE A COAL BED.



**COMPLETED LOG SET**



## BEFORE YOU BEGIN

Read this entire manual before you use your new fireplace insert(especially the section “Safety Precautions”). Failure to follow the instructions may result in property damage, bodily injury, or even death.

### Remote Control Transmitter Functions

**NOTE:** The Wall Receiver will “beep” once every time a Remote Transmitter Key is pressed, signaling that the command has been received.

Identify the four function buttons on the Remote Transmitter:



1. **ON/OFF KEY:** This button turns the system ON or OFF. When this button is pressed and the system is OFF, the pilot light will stay ON if the “Standing Pilot Switch” is in the ON position.

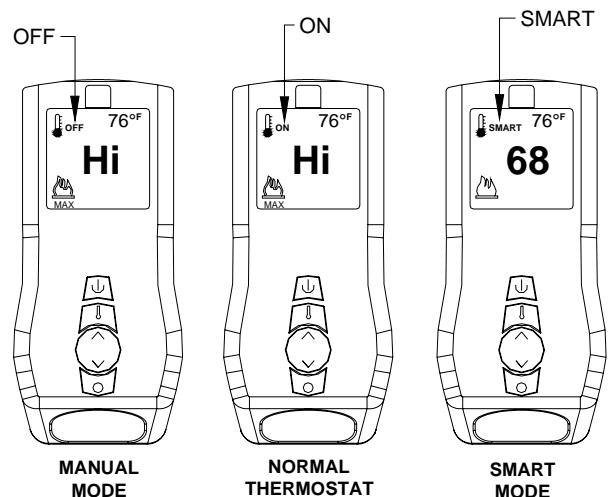


2. **THERMOSTAT KEY:** This button, when pressed after the ON/OFF KEY is pressed and the system is ON, will allow the selection of three modes: Manual Operation, Normal Thermostat and Smart Thermostat.



- a. **Manual Mode:** In this mode, the room temperature is ignored and the fireplace can be turned ON indefinitely. The room temperature rise has no effect on this mode. All other functions such as fan speed control, flame height control, secondary burner On/OFF control and Accent Light ON/OFF controls will be manually controllable.

- b. **Normal Thermostat:** In this mode, the fireplace will stay functioning until the room temperature increases 1°F above the Set Point Temperature. To increase the Set Point Temperature, Press the UP button until the desired temperature is displayed in the SET POINT TEMPERATURE window. The fan will turn on 5 minutes after fireplace startup and will turn off 12-1/2 minutes after the flames turn off, in this mode. The flame height can be adjusted while the fireplace is functioning, fan speed can be adjusted after 5 minutes of startup. Secondary burner can be turned On or Off at any time after startup. The Accent Light can be turned on or off any time after startup.

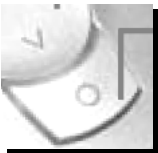


- c. **Smart Thermostat:** In this mode, all other functions except the flame height adjustment are allowed. Manual flame height adjustment is not allowed in this mode. The Smart Thermostat function adjusts the flame height in accordance to the difference between the set point temperature and the actual room temperature. As the room temperature gets closer to the set point temperature, the Smart Function automatically modulates the flame down.

3. **UP/DOWN KEY:** This key is used to increase or decrease the Set Point Temperatures, Flame Height and Fan Speed and to toggle between Accent Light ON/OFF and Secondary Burner ON/OFF.



4. **MODE SELECTION KEY:** This key is used to toggle between the various function icons: Set Temperature, Flame Height and Secondary Burner.





## REMOTE TRANSMITTER OPERATING INSTRUCTIONS

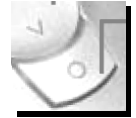
### TO TURN ON THE APPLIANCE:

1. Press the ON/OFF button. The transmitter display will show all active icons on the screen.
2. Select the Thermostat Mode by pressing the Thermostat Key: OFF (meaning Manual Mode), ON (meaning normal Thermostat) or Smart (meaning Smart Mode).
  - a. In OFF (Manual Mode), the appliance will ignite and start on HI.
  - b. In ON (Normal Thermostat Mode), the appliance will only ignite if the Set Temperature is greater than the Room Temperature.
  - c. In SMART (Smart Mode), the appliance will only ignite if the Set Temperature is greater than the Room Temperature.

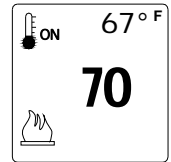
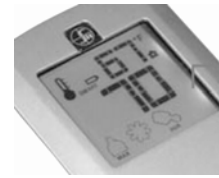


### TO TURN OFF THE APPLIANCE, press the ON/OFF button.

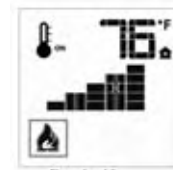
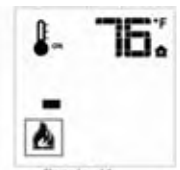
**MODE KEY:** Pressing the MODE KEY toggles between the various available functions: Temperature Setting, Flame Height Setting and Secondary Burner On/Off.



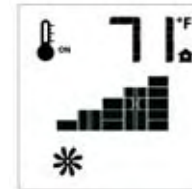
**Temperature Setting:** Press the Mode Key until the large Set Temperature is displayed. Pressing the Up or Down button once in this mode will increase or decrease the set temperature. Note that the large temperature display in the center of the screen is the Set Temperature. The smaller temperature display in the top right corner is the room temperature that the hand held transmitter has sensed.



**Flame Height:** 6 flame height Levels are available. While the Flame Height Icon is displayed, pressing the Up or Down button once will increase or decrease the flame height by 1 of 6 increments. In Manual Mode, if the flame height is at Level 1 and the Down button is pressed, all burners will turn OFF. If in IPI mode, the pilot light will also extinguish. If in Standing Pilot Mode, the pilot light will remain ON. Note: If in SMART model, the flame height function is not available for manual adjustment. In SMART mode, the flame height regulates automatically. In Thermostat mode, you will be able to reduce the flame height down to the Level 1 setting but you will not be able to turn the burner off.



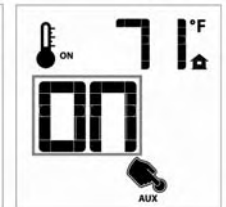
**Fan Speed Control:** The fan speed can be adjusted through six (6) speeds and OFF. To activate this function, press the MODE Key to index to the fan control icon. Use the UP/Down Arrow Key to turn ON, OFF or adjust the fan speed. A single "beep" will confirm reception of the command.



**Aux (Accent-Light):** This function controls the Mendota Accent Light function.



Pressing the UP key in this mode will TURN ON the Accent Light and Pressing the DOWN key will TURN OFF the Accent Light. A single "beep" will confirm reception of the command. Note: The Accent Light Dimmer control is on the right face or right edge of the surround. Turn the Dimmer Control Knob to dim or brighten the Accent Light. Once you set your desired brightness level, you may use the AUX function to turn the Accent Light On or Off at that preset level.



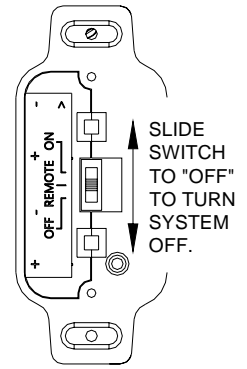
**Secondary Burner:** This function controls the Secondary Burner's ON/OFF feature. Pressing the UP Key in this mode will TURN ON the Secondary Burner and Pressing the DOWN Key will TURN OFF the Secondary Burner. The flame level will not change when you turn the Secondary Burner On or Off. The flame level can only be changed in the Flame Level mode.



## MANUAL BYPASS OF THE REMOTE SYSTEM

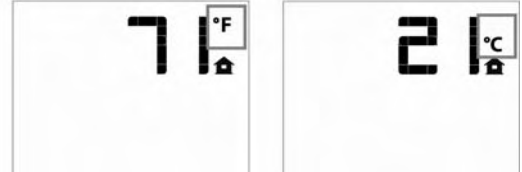
If the remote transmitter is misplaced or lost, the appliance can be turned on manually by sliding the three position slider switch on the wall receiver to the ON position. This will bypass the remote control feature of the system and the appliance's main burner will turn on. The fan will run at its maximum speed and the Accent Light may turn on.

To turn off the appliance, if the remote control is misplaced or lost, slide the three position slider switch on the wall receiver to the OFF Position.



## TEMPERATURE INDICATOR (°F or °C)

1. Press the ON/OFF Key and Turn Off the Fireplace.
2. Simultaneously, Press both the MODE Key and the Thermostat Key.
3. Look at the LCD display to verify that your desired indicator (°F or °C) is being displayed. If not, repeat step 2.



## KEY LOCK FUNCTION

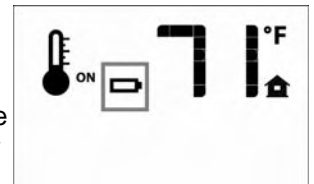
To prevent unsupervised children from operating the fireplace, a KEY LOCK function is provided with this remote control system. To activate the KEY LOCK function, simultaneously press the "MODE KEY" and the "UP KEY". To deactivate the KEY LOCK function, simultaneously press the "MODE KEY" and the "UP KEY".

During KEY LOCK mode, none of the Keys will function. You must DEACTIVATE the system before you can use the Remote Transmitter.



## LOW BATTERY POWER DETECTION

1. **Transmitter Batteries:** The life span of the remote control transmitter batteries depends on various factors: quality of the batteries used, the number of ignitions of the appliance, the number of changes to the room thermostat set point, etc. When the Transmitter batteries are low, a Battery Icon will appear on the LCD display of the Transmitter before all battery power is lost. When the batteries are replaced, this icon will disappear.
2. **Wall Receiver Batteries:** The life span of the wall receiver batteries depend on the quality of the batteries used and how long the batteries have been installed in the wall receiver. These batteries are only utilized during power outages. Replace these batteries every heating season even if you have not experienced any power outages. Batteries drain slowly even when not in use. This is a normal characteristic of all batteries.



## OPERATING DURING POWER OUTAGES

This electronic ignition system utilizes the supplied 110VAC power when it is available for all functions of this system. If the AC power is interrupted during a power outage, this system utilizes the batteries (installed in the Wall Receiver) as back-up batteries. During the power outage, the appliance's burners will function. In addition, Flame Height adjustment and Secondary Burner ON/OFF functions will be available. The Fan and Accent Light, which are wholly dependent on 110VAC power, will not function.

This appliance is designed and tested to be operated during power outages. The overall efficiency of this appliance will be reduced by approximately 5% when the blower function is disabled during the power outage period.

## “FIRST TIME” PILOT LIGHTING INSTRUCTIONS

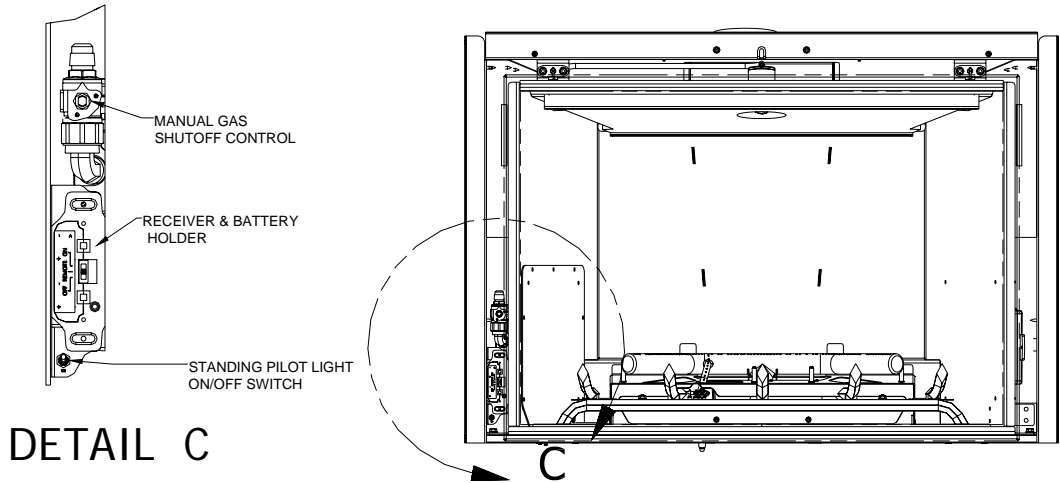
**IMPORTANT:** Be sure all items on "INSTALLATION CHECK OFF LIST" in the Installation Manual have been completed!

**CAUTION:** If the pilot goes out, be sure to wait a minimum of five minutes before attempting to relight the pilot.

Make certain that any manual gas supply shut-off valves located upstream of fireplace are open and the wall receiver and the remote control transmitter are in the "OFF" position. Make certain that the wall receiver harness is connected to the wall receiver properly. Synchronize Remote Transmitter and Receiver. See “INITIALIZING THE REMOTE CONTROL SYSTEM”, below.

1. Make certain that 110VAC power cord is connected to an electrical outlet.
2. Insert Batteries in the Wall Receiver (4 x AA) and the Remote Transmitter (3 x AAA). Note the polarity of batteries and insert as indicated on the battery compartment covers.

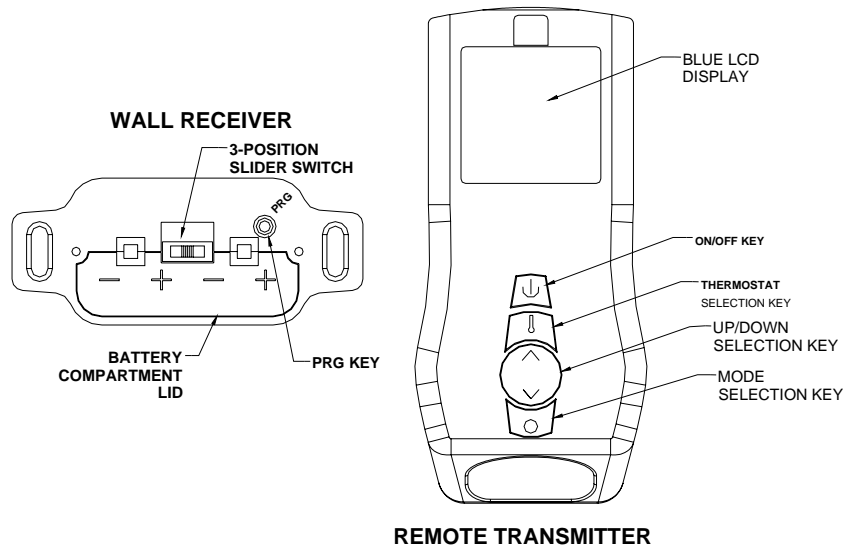
3. For the “First Time Lighting”, Remove the Glass Door. This is required to purge the gas line of air and to inspect the pilot lighting spark. Slide the wall receiver switch to “REMOTE”. Locate the “Standing Pilot ON/OFF Switch”. See Figure 1. Toggle “Standing Pilot ON/OFF Switch” to “ON”. You will hear a series of clicks and after a few seconds, you will hear sparking at the pilot spark electrode.



7. Allow adequate time for the air in the gas-line to purge. The control system will stop sparking after 30 seconds if the pilot light does not light. After a 30 second delay the control system will start sparking again for 30 seconds more. If the pilot light does not light after the third 30 second spark event, the system will enter “Lock-out” mode. To unlock from “Lock-out” mode, slide Wall Receiver Switch to “OFF”, wait 30 seconds and slide back to “Remote”. Repeat this sequence until the pilot flame lights and the pilot is burning steadily. After you inspect the spark and the pilot lights, turn off the pilot switch and close the glass door.
8. Relight Pilot after closing glass door. **WARNING: NEVER IGNITE MAIN BURNERS WITH GLASS DOOR REMOVED OR OPEN. Doing so will lead to damage to pilot flame sensor and spark electrode wire leads.**
9. Slide switch on Wall Receiver to “ON”. All burners should ignite and run at “high-fire” if rear burner solenoid is in ON position from the factory. If rear solenoid is in off position the rear burner will not ignite. Use the Remote System to turn rear burner ON. Slide Wall Receiver switch to REMOTE after 15 seconds. Burner Flames will extinguish.
10. Perform gas inlet and outlet pressure tests and leak tests on field installed gas fittings and factory installed fittings in the gas valve compartment, at this time. Note: Burners must be ON to check outlet pressures and to leak test gas train fittings upstream of main gas valve.

### INITIALIZING THE REMOTE CONTROL SYSTEM (Synchronizing Receiver and Transmitter)

1. Place 3-position slider switch in Wall Receiver in the “Remote” position.
2. Locate “PRG” key on Wall Receiver Face. Use the tip of a pen/pencil or a wire clip to push the PRG button. The receiver will beep 3 times indicating that it is ready to synchronize with a Remote Transmitter.
3. Push the “ON” key on the Remote Transmitter. The receiver will beep 4 times to indicate that the Transmitter’s command is accepted and sets to the particular code of that Transmitter. The system is now initialized.



**NOTE:** Use this Synchronizing procedure every time the batteries are replaced in the Receiver or the Transmitter.

## IPI/STANDING PILOT SYSTEM INFORMATION

	REMOTE CONTROL	WALL RECEIVER
Supply voltage	4.5V (three 1.5V AAA batteries)	6.0V (four 1.5V AA batteries)
Ambient temperature ratings	32 – 122 °F (0 – 50 °C)	32 – 140 °F (0 – 60 °C)
Radio Frequency	315 MHz	315 MHz

### ATTENTION!

The transmitter and receiver are RADIO FREQUENCY DEVICES. Placing the receiver in or near metal may severely reduce the signal range.

- Turn off the main gas supply of the appliance during installation or maintenance of the receiver.
- Place the receiver's 3-position slider switch in the "off" position during installation or maintenance.
- Turn "off" main gas supply to the appliance prior to removing or reinserting the batteries in the receiver.
- During appliance installation/maintenance or in case of remote control malfunction, turn off electrical supply to this appliance and remove the batteries from the wall receiver battery compartment. Contact technical service.

## Intermittent Pilot Light and Standing Pilot Light

### Features

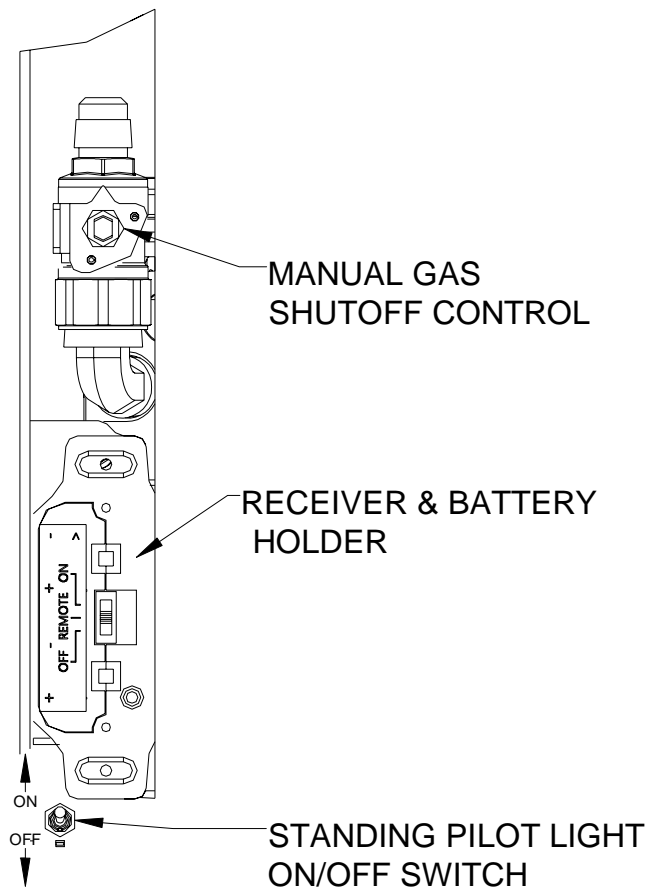
This gas fireplace Insert is equipped with an electronic ignition System that first lights a pilot light then uses the pilot light to ignite the main burners. The pilot light can be set in the "Standing Pilot" mode to allow the pilot light to remain on indefinitely by toggling the "Standing Pilot Switch" to the ON position. If the "Standing Pilot Switch" is toggled to the OFF position, the pilot light will only light and remain ON while the main fireplace burners are operating.

**NOTE:** Before inserting batteries into the Remote Receiver's battery compartment, toggle the Pilot Light ON/OFF switch to the OFF position. Toggle the switch "DOWN" to OFF. If the Pilot Light ON/OFF switch is left in the ON position, the pilot light will start sparking as soon as the batteries are inserted and the system may "Lock-Out" if the gas line is turned to off.

**IPI Mode:** This mode turns the pilot light "OFF" when the fireplace is not functioning and only lights the pilot light automatically when a call for heat is made by the remote control.

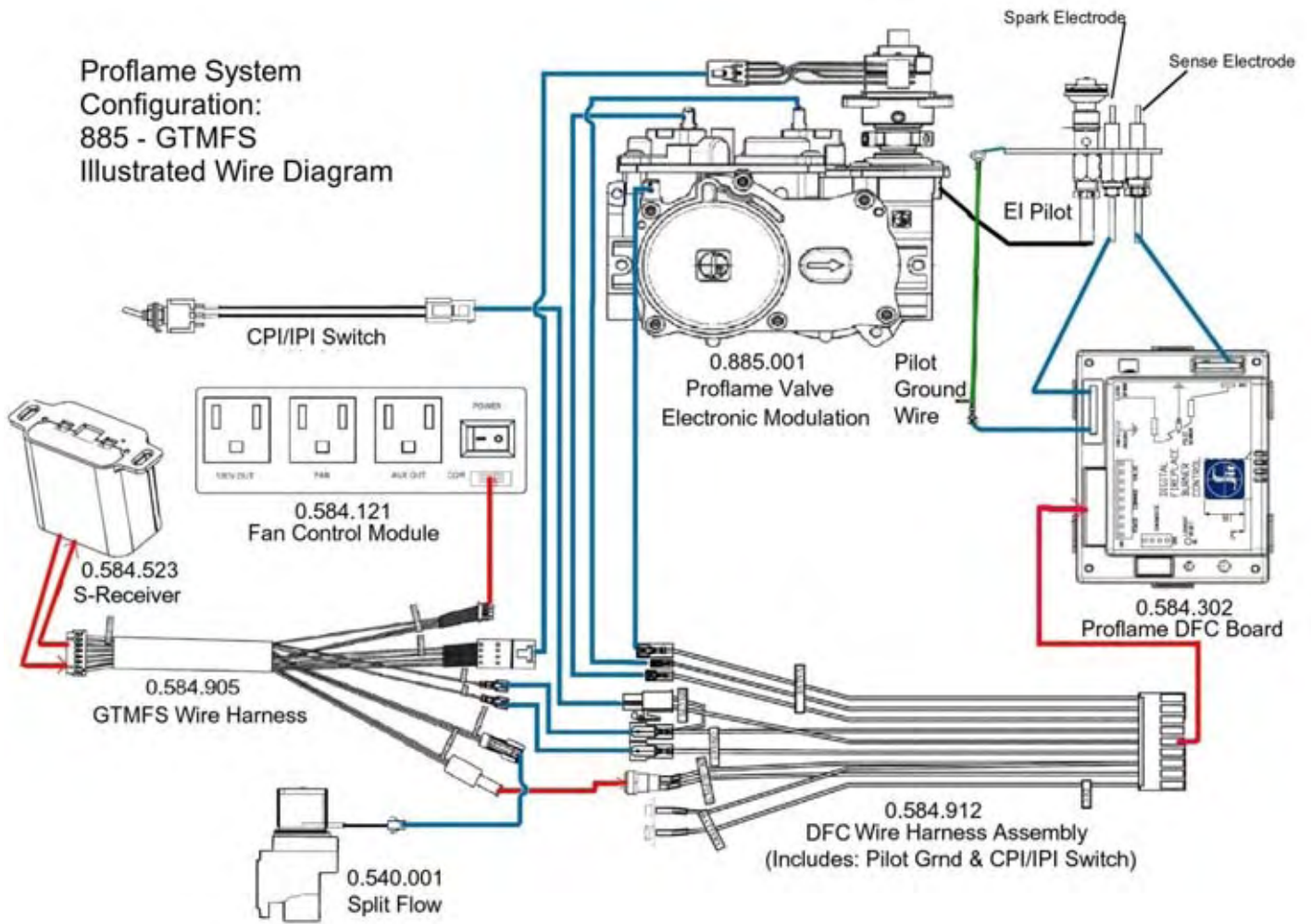
**Standing Pilot Mode:** If the "Standing Pilot Switch" is toggled to ON, the pilot light will ignite and remain ON as long as the "Standing Pilot Light Switch" is in the ON position.

**NOTE: Mendota Fireplaces recommends that the Standing Pilot Mode be used during the winter months when external temperatures fall below 50°F.** This will keep the fireplace chimney heated for proper updraft during burner ignition and it will also eliminate excessive condensation of exhaust vapors on the door glass. Further, leaving the fireplace in the Standing Pilot Mode will keep the fireplace body warm and eliminate cold drafts and heat loss to the cold air that is trapped inside the firebox.



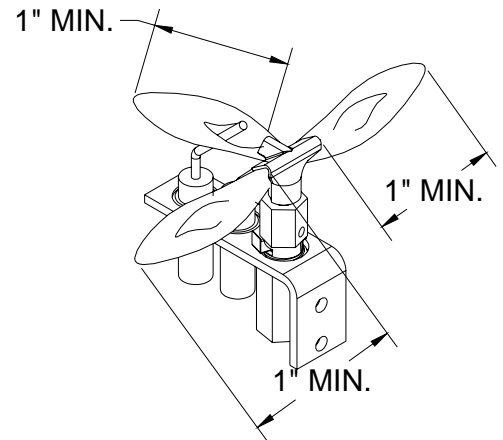


## FV-44i GAS IGNITION SYSTEM WIRING DIAGRAM

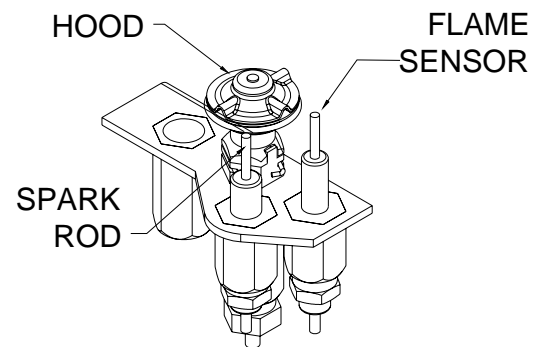


## MAINTENANCE

1. **ANNUAL MAINTENANCE OF MENDOTA UNITS IS REQUIRED.** The following procedures must be performed each year by a Mendota approved service person. NOTE: Any adjustments to burner, pilot or logs must be done by a qualified Mendota service person.
  - A. Clean all lint and dust build-up around the control. Inspect the condition of any wiring under the burner for melting or damage.
  - B. Remove logs & coals and clean away any foreign matter (lint, Carbon, etc.) on the burner and logs. Be sure the burner ports are "open". Clean the pilot and under side of the logs for any Carbon deposits. NOTE: Logs should be visually checked for Carbon "build-up". If carbon deposits are visible on logs, unit should be turned off and Mendota service person contacted. Be sure logs are re-installed per instructions on PAGE 34.
  - C. Check condition of glass door gasket, gasket must seal tightly over firebox, replace if necessary.
  - D. Periodically check to verify that the vent system and vent cap are open and free of blockage.
  - E. Before re-installing glass, have qualified service person check the operation of the pilot with millivolt meter and cycle the burner per LIGHTING INSTRUCTIONS (see PG. 43). Pilot must read a minimum of 460 millivolt. Be sure all items in LIGHTING and INSTALLATION "check off" lists are completed.
    4. The viewing glass should be cleaned periodically. Exterior glass surface may be cleaned with cleaner as desired. To clean Interior glass surface, use Kel Kem "polish plus" (part # 65-06-00455) or comparable product. Do not use oven cleaner or abrasive cleaners to clean glass. Do not clean when glass is hot.
    5. Periodic visual check of pilot flames is required. Pilot Flame must overlap Flame Sensor and burner ignition ports at all times.
    6. Periodic visual check of main burner's rear and front flames is required.



## BURNER FLAMES GENERAL HEIGHTS REFERENCE DIAGRAM



## NATURAL TO LP GAS CONVERSION

### Kit # HA-58-00302 for Mendota Model FV-44i

This conversion kit shall be installed by a qualified service agency in accordance with the manufacturer's instructions and all applicable codes and requirements of the authority having jurisdiction. If the information in these instructions is not followed exactly, a fire, explosion or production of carbon monoxide may result causing property damage, personal injury or loss of life. The qualified service agency is responsible for the proper installation of this kit. The installation is not proper and complete until the operation of the converted appliance is checked as specified in the owner instructions supplied with the kit.

**Caution:** The electrical supply to the fireplace must be turned off prior to performing the conversion. The gas supply must be shut off prior to disconnecting the electrical power.

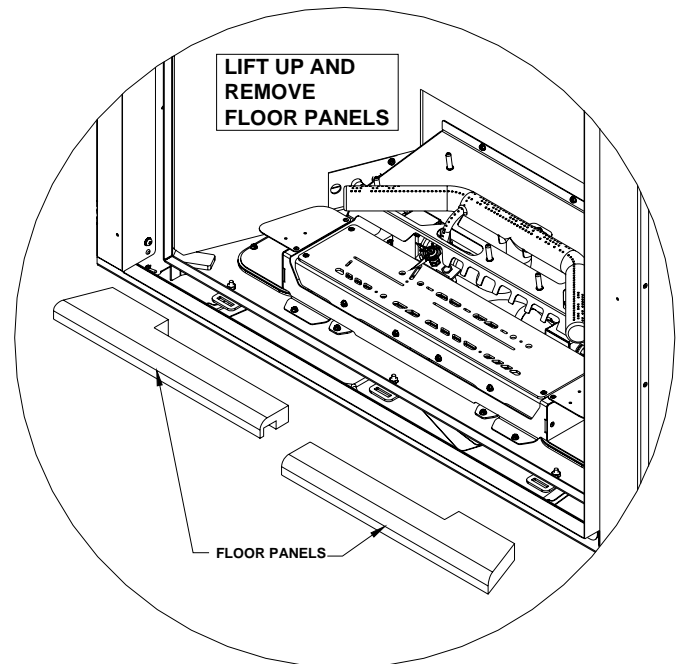
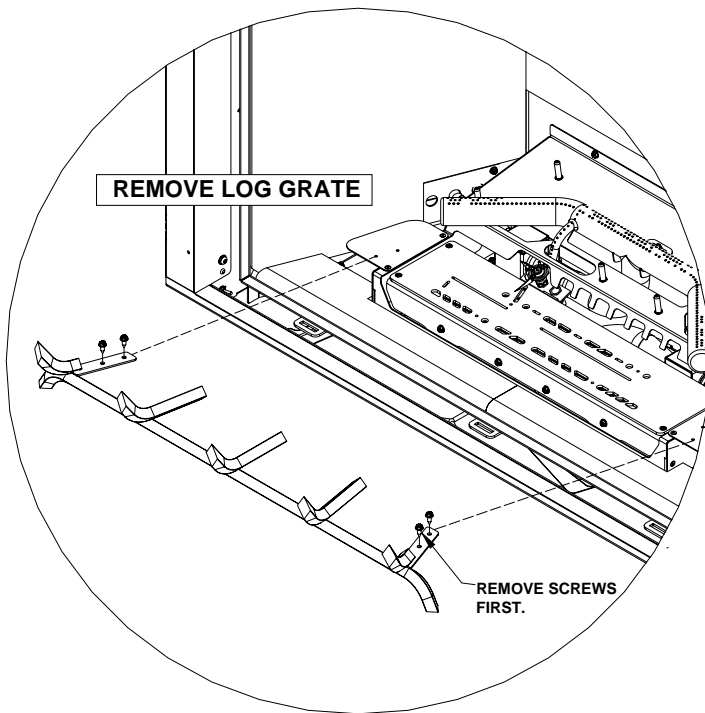
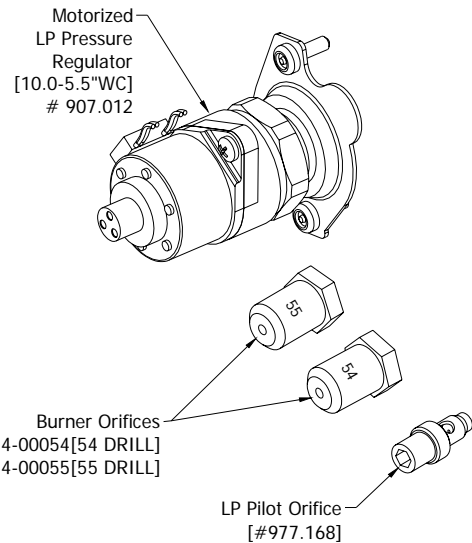
### ORIFICE SIZES REQUIREMENT:

A Natural Gas to LPG conversion kit #HA-58-00302 must be ordered and installed to convert the FV-44i Fireplace to burn LPG.

LP Conversion Kit # HA-58-00302 contains the following parts: One Motorized LP Pressure Regulator #907.012, One LP Pilot Orifice Thimble #977.168, and two Cap Orifices (drill #54 and drill #55).

### Recommended Procedure to Convert This Fireplace To Burn LPG

This Fireplace Insert arrives from the factory ready to burn Natural Gas. If you intend to burn LPG, it is highly recommended that you convert this fireplace and its Pressure Regulator, Pilot Orifice Thimble and Burner Orifices prior to placing this fireplace in its fire-



place cavity.

See diagrams, on this page, and follow these instructions to prepare this fireplace for conversion to LPG.

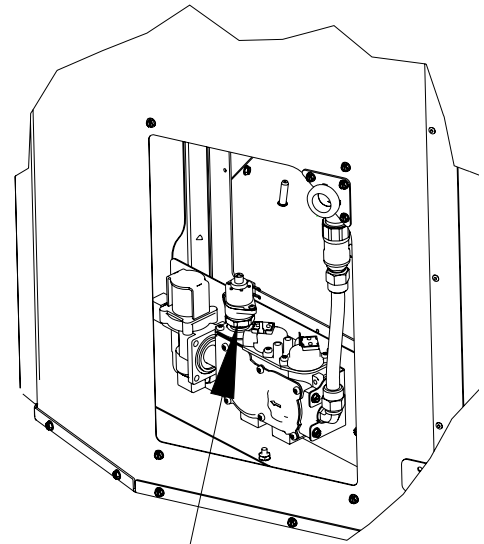
1. Using a 1/4" Hex Driver, remove 4 screws that secure the Log Grate in place. Remove Grate from Firebox.
2. Remove the Floor Brick Panels by lifting them out of the firebox.
3. Remove the left-side access panel mounted to the left outer skin and lay down gently without disconnecting any wires of internal components.

**WARNING: It is of the utmost importance that the correct burner orifices be installed for both the rear and front burners.**

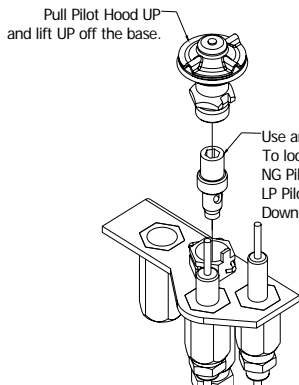
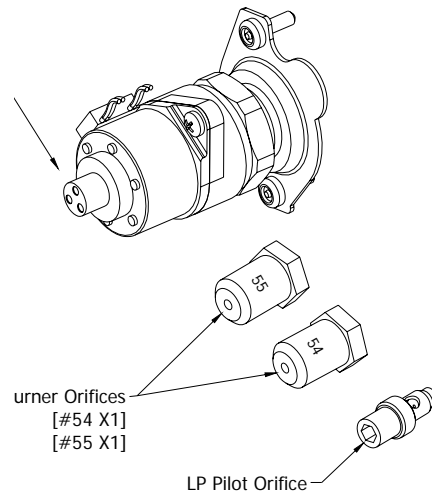
**It is highly recommended that you remove the left side blower assembly and the left side exterior controls box before attempting to replace the pressure regulator.**

1. Turn off gas supply at the appliance service valve.
2. See diagrams on this page and identify the Pressure Regulator on the Valve Body.
3. Using a Torx T20 or a slotted screwdriver, remove 2 screws that secure the NG Pressure Regulator to the gas valve body and remove NG Pressure Regulator, see following page.
4. Install the new LP Pressure Regular onto the gas valve body in the same position and orientation as the NG Pressure Regulator you removed in Step 2, above. The LP Pressure Regulator can only be mounted in one position. Secure the LP Pressure Regulator in place. Tighten down.
5. Remove both Rear and Front Burners. Locate and Identify the Rear Burner Orifice Spud and the Front Burner Orifice Spud. Both Front and Rear Orifice Spuds are removed and installed using a 1/2" deep well socket and ratchet.
6. Install Rear Burner Orifice #65-14-00054(#54 drill) for the Rear Burner. Tighten down securely.
7. Install Front Burner Orifice #65-14-00055 (#55 drill) for the Front Burner. Tighten down securely.  
Install pilot orifice thimble #05-04-00036 (.014") see Figure 25 for location. To remove Pilot Hood, use a screw driver to pry open the Wire Clip that is located at the base of the Pilot Hood. Pull Upward and remove pilot hood. Use an Alan wrench to remove NG Pilot Orifice. (Pilot orifice thimble is located inside pilot hood base).
8. Install LP Pilot Orifice. Tighten down using an Alan wrench. Replace Wire Clip in its original position.
9. Push Pilot Hood down into base until it snaps in place.

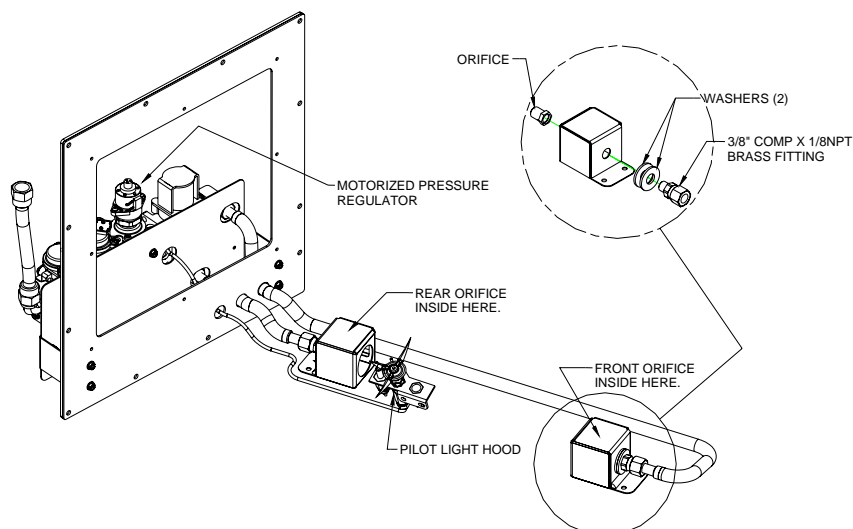
VIEW FROM OUTSIDE FIREBOX



PRESSURE REGULATOR



WIRE CLIP.





# LP PRESSURE REGULATOR CONVERSION INSTRUCTIONS

**WARNING:** Failure to position the parts in accordance with these diagrams or failure to use only parts specifically approved with this appliance may result in property damage or personal injury.

## WARNING!

The installation of this conversion kit must only be undertaken by a qualified and certified gas appliance installer.

### STEPPER MOTOR PRESSURE REGULATOR CONVERSION KIT INSTALLATION OR REPLACEMENT INSTRUCTIONS.

Verify that the following items are present in the package.

- Pressure regulator assembly (E)
- Two (2) screws (F)
- Identification label (G)
- Installation instructions (this document).

- 1 Shut off the gas supply to the valve and shut down the electric supply.
- 2 See Fig. 1. Using a Torx T20, or slotted screwdriver, remove and discard the two (2) pressure regulator mounting screws (A), pressure regulator tower (B), and the spring and diaphragm assembly (C), (if applicable).
- 3 Ensure the rubber gasket (D), which is prefitted as part of assembly (E), is properly positioned, see Fig. 2, otherwise fit the gasket as shown Fig. 2.
- 4 Install the new STEPPER MOTOR pressure regulator assembly, as shown in Fig. 3 and Fig. 4. Use the supplied screws (F), M4 x 0.7 threaded, length of thread  $L=(16\text{ mm} + 0 - 0.5\text{ mm})$ , steel material, resistance class 8.8 (see Fig. 5).
- 5 Manually thread the two conversion kit mounting screws into the valve body. Use a standard screwdriver or T20 Torx bit and tighten to the screws with a fixing torque of  $25\text{lb-in} \pm 5\%$ .  
**IN THE EVENT THAT THE THREADS OF THE VALVE ARE STRIPPED OR DAMAGED, REPLACE THE VALVE.**
- 6 Install the enclosed identification label (G) to the valve body where it can be easily seen.
- 7 Make STEPPER MOTOR and valve electrical connections, apply gas to system and relight appliance according to manufacturers instructions.
- 8 With the main burner "ON", test the new pressure regulator assembly for leaks using a soap solution.
- 9 Relight the main burner and verify proper burner ignition and operation.

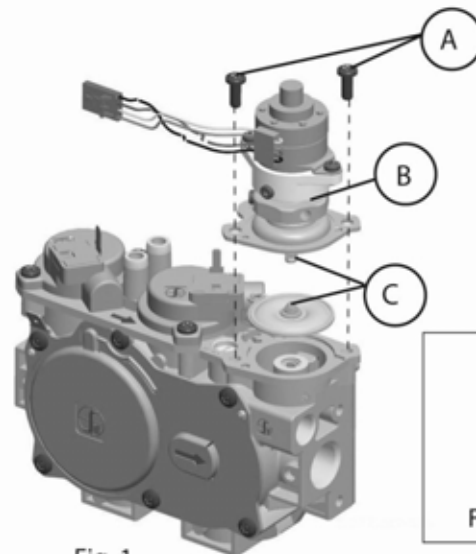


Fig. 1

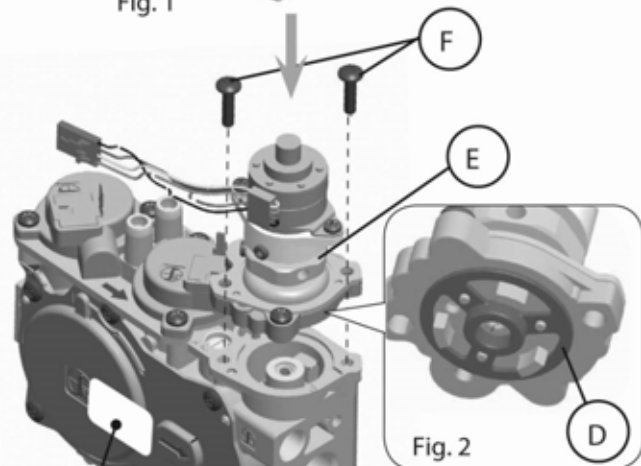


Fig. 2



Fig. 3

Fig. 4

## WARNING!

Installation should be carried out in a clean environment.

## WARNING!

This modulating conversion kit must ONLY be applied as part of a conversion kit supplied by the APPLIANCE MANUFACTURER for the specific appliance, and type of gas, being converted.

## WARNING!

Correct operation of the system cannot be guaranteed if the conversion kit or valve has been dropped or has sustained a strong impact.

**INSTALLER NOTICE.** These instructions must be left with appliance.

## LP GAS PRESSURE REQUIREMENTS

Inlet and manifold gas pressure checking taps are located on gas valve. These ports are only accessible from the outer left side of the fireplace. A qualified installer shall take pressure measurements at these ports to verify and set the correct gas pressures during the LP Kit installation and before facia materials are installed over the front of this fireplace. Manifold pressure must be taken at the "MANIFOLD PRESSURE" tap and inlet pressure at the "INLET PRESSURE" tap **with the burner operating** by a qualified installer.

	DESIRED INLET PRESSURE	MINIMUM INLET PRESSURE	MAXIMUM INLET PRESSURE	MANIFOLD OUTLET PRESSURE	AIR SHUTTER POSITION
L.P. GAS	11.0" W.C. (2.75 kPa)	11" W.C. (2.75 kPa)	13.0" W.C. (3.24 kPa)	10.0" W.C. (2.5 kPa)	1/4" OPEN MIN. (5 mm)

**REGULATE THE FLAME HEIGHT TO "HIGH" POSITION. OUTLET GAS PRESSURES MAY VARY PLUS OR MINUS 5%.**

## LPG PROPER INPUT RATES:

With the proper orifices installed, as specified above, this fireplace utilizing LP Gas will have a maximum input rate of 40,000 Btu/Hr.

## LEAK TESTING REQUIREMENTS

Prior to completing the conversion process, check for gas leaks with soap and water solution at all plumbing joints prior to placing this appliance into operation. It is recommended that all gas-plumbing joints, factory installed and field installed are checked for leaks.

## PILOT FLAME AND MAIN BURNER RELATIONSHIP VERIFICATION

Prior to completing the conversion process, the qualified service technician must, light the pilot light and verify the relationship between the pilot light flames and the main burners. The pilot light flames directed towards the propagation ports on the rear and front burner must overlap the propagation ports on the burners. The pilot light flames must be a minimum of 3/4" long and must overlap the propagation ports on both the rear and front burners as shown in the diagram, below. Verify that the burner tubes ignite quickly and the burner flames propagate smoothly along the entire length of the burners.

## PILOT FLAME LENGTH ADJUSTMENT

If the pilot light flame length is too short and the system does not maintain a standing pilot, a qualified installer may increase the length of the pilot light flames to meet the two requirements: Minimum pilot light length to maintain a standing pilot light and the pilot light flames must be long enough to overlap the front and rear burner ports.

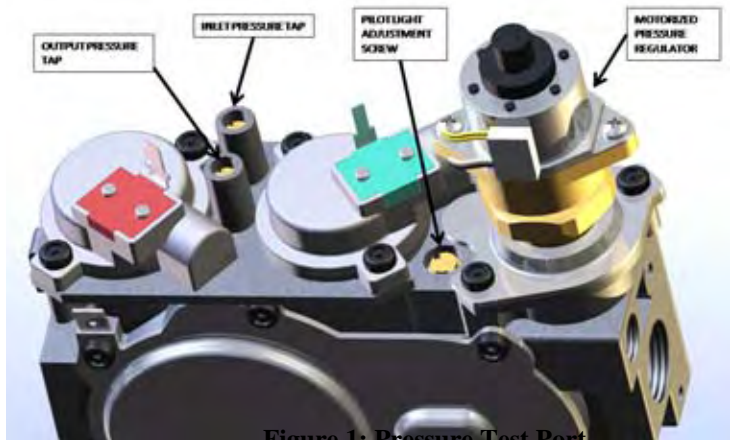
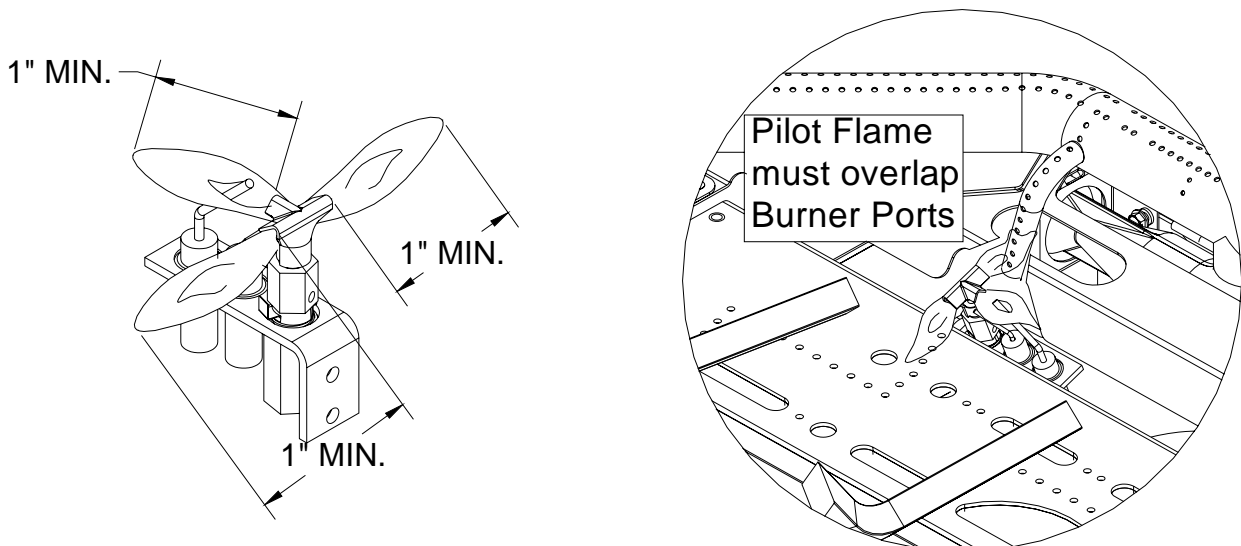


Figure 1: Pressure Test Port



## CHECKING FOR NORMAL BURNER (S) IGNITION CHARACTERISTICS

Once the conversion to LPG and all the above steps have been completed, light the main burners. Turn Gas Dial counterclockwise to "ON" then set Thermostat or push Main Burner ON/OFF switch to turn on burners. Main burner should now light IMMEDIATELY and flame should not "lift" off burner. If there is any delay in ignition or if flame is "lifting off" burner, turn off burner and carefully check for proper installation of logs/coals, vent system and proper pilot flame impingement on burner and thermopile. Logs or coals must not block pilot flame or main burner flame. Vent system must be leak proof.

### WARNING

DO NOT PROCEED WITH OPERATION OF THIS FIREPLACE  
UNLESS BURNER "CYCLES" ON/OFF WITHOUT DELAYS!

## ATTACHING LPG CONVERSION LABELS AND HIGH ALTITUDE DERATION LABEL

Two printed informational labels are included with the LPG Conversion Kit. Attach these two labels to the left side surface of this insert adjacent to the Serial Number Plate. If you are derating this appliance at a high altitude, also attach the High Altitude Deration Label, supplied in the Owner's Manual Packet, to this same surface adjacent to other labels. Prior to attaching the labels, fill in all the information that is requested in these labels.

For installations from 610-1370 meters (2000-4500 ft.) the orifice sizes (DMS) for natural and propane gas are \_54\_ and \_55\_, respectively. See data plate for additional information. For high altitude installations consult the local gas distributor or the authority having jurisdiction for proper rating methods. If the installer must convert the unit to adjust for varying altitudes, the information sticker must be filled out by the installer and adhered to the appliance at the time of conversion."  
«Cet appareil est équipé pour des altitudes comprises entre 0 et 2000 pieds (0-610 m) seulement»

This appliance has been converted for use at an altitude of \_\_\_\_\_  
Orifice size \_\_\_\_\_ Manifold Pressure \_\_\_\_\_  
Input (Btu/h) \_\_\_\_\_ Fuel Type \_\_\_\_\_  
Date of conversion \_\_\_\_\_ Converted by \_\_\_\_\_  
«Cet appreeil a été converti au \_\_\_\_\_  
Injecteur \_\_\_\_\_  
Pression à la tubulure d'alimentation \_\_\_\_\_  
Déoit calorifique \_\_\_\_\_

**GAS LEAK TEST REQUIREMENT:** It is the responsibility of the installer/service person to assure that each and every gas connection and supply tubing that are a part of this fireplace are leak proof. The qualified/ certified individual connecting the gas supply line, performing pressure tests or performing any service to this fireplace is required to perform a THOROUGH LEAK TEST on ALL gas fittings that are a part of this appliance or the gas supply line connection using soap-water solution or a calibrated combustible gas detector. Failure to perform this leak test may lead to a house fire and/or an explosion. Mendota is not responsible for any damages due to an Installer's failure to conduct a leak test and verify that all connections and supply lines are leak proof.

**WARNING:** Do not operate appliances with glass front removed, cracked, or broken. Replacement of glass should be done a licensed or qualified service person.

**Note:** Consult the local or national installation code(s) to assure that adequate combustion and ventilation air is available.

## BLOWER SYSTEM INFORMATION

**WARNING:** Label all wires prior to disconnection when servicing controls. Wiring errors can cause improper and dangerous operation. Verify proper operation after servicing.

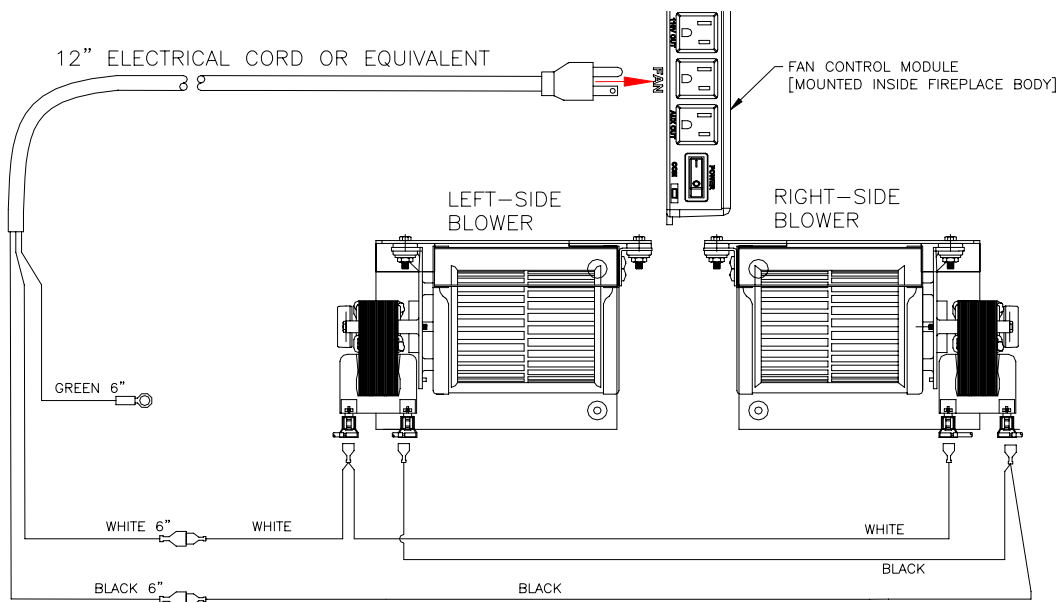
This appliance is equipped with a three-prong (grounding) plug for protection against shock hazard and should be plugged directly into a properly grounded three-prong receptacle. Do not cut or remove the grounding prong from the plug.

Dual blowers are provided as standard equipment with this FV-44i Insert. The dual blowers have an air output rating of 210 CFM (in free air). This Insert is designed to operate with the blowers turned OFF or ON. Turning the blower on increases the overall efficiency of this fireplace and aids in distributing and circulating heat to the room this Insert is installed in.

### **BLOWER OPERATION**

The remote control system supplied with this appliance can turn the blowers ON or OFF and regulate the speed of the blowers in six(6) steps.

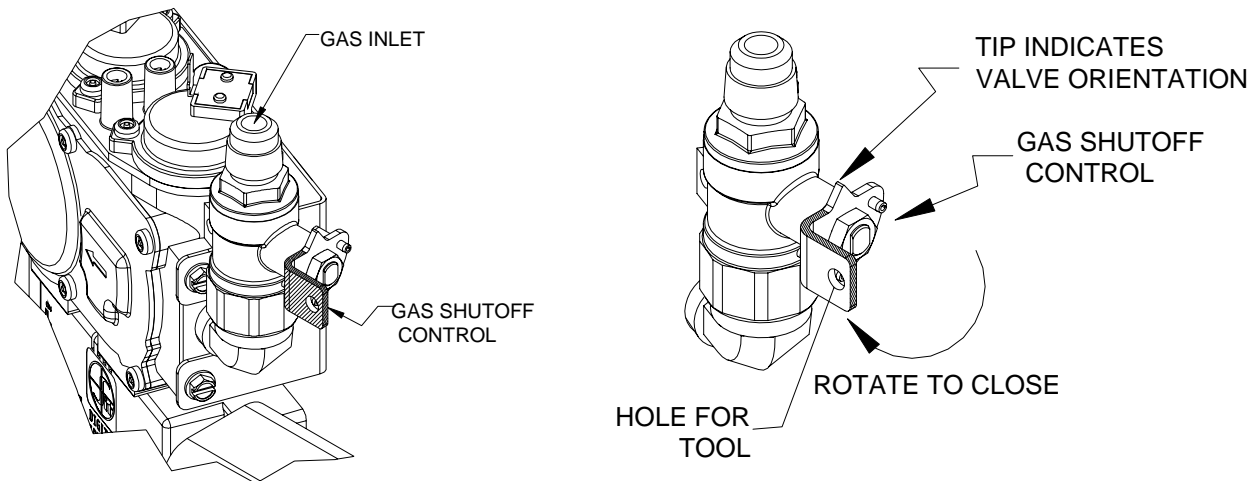
**NOTE:** In the Normal Thermostat Mode and the SMART Mode, there will be a time delay in blower operation during "heat-up" (5 minutes) and extended blower operation during "cool-down" of unit (12-1/2 minutes).



### **EMERGENCY GAS SHUTOFF CONTROL**

This gas fireplace is equipped with an Emergency Gas Shutoff Control that is designed to be activated using the glass latch tool. The shutoff valve and the control is located on the left side of the appliance behind the remote control receiver/battery holder.

Insert bent end of glass latch tool into the hole in the gas shutoff control. Rotate the tool clockwise to turn off gas flow. Rotate the tool counter-clockwise to turn on gas flow.





## CUSTOMER INFORMATION AND TROUBLE-SHOOTING

### OVER FIRING/UNDER FIRING OF BURNER

NEVER "over fire" units by adjusting gas pressure to increase BTUH above nameplate specifications. Over firing can cause permanent damage to firebox and deterioration of parts and void warranty.

### PILOT OUTAGE AND RE-LIGHTING

If pilot goes out, be sure to wait a minimum of five minutes before attempting to re-light the pilot.

### CLEANING VIEWING GLASS

The viewing glass should be cleaned periodically. Exterior glass may be cleaned with cleaner as desired. For Interior glass, use soap and water. NEVER USE ABRASIVE CLEANERS, NEVER CLEAN GLASS WHILE OPERATING, OR WHEN GLASS IS HOT.

**NOTE:** Additives that are put in gas (both natural and propane) to make it smell can be harmful to glass and can leave a white film deposit on the glass. This deposit can be removed with cleaners such as KEL KEM "Polish Plus" (# 65-06-00455, See your dealer for availability).

In some cases (especially propane) additives can cause "crazing" or etching on the glass. Although this is not normal, it is not covered under the warranty. The solution may be to change propane suppliers.

Sooting is caused by improper installation or operation. At the first sign of "sooting" (usually a thin black film on the Fire-place viewing glass) the unit must be immediately turned off and the local Mendota dealer promptly informed. Mendota products are designed and tested to operate without producing any "sooting" when installed and operated correctly. Mendota dealers will correct "sooting" problems, but Mendota and their dealers are not responsible for damage caused by excessive sooting that has not been immediately brought to their attention.

### AGA/ANSI APPROVAL

Gas appliances must be tested and certified by a nationally recognized testing and certification laboratory to ANSI [American National Standards Institute] gas appliance safety standards.

The Mendota Gas Fireplace Insert has been tested and certified by Intertek Testing Services, 8431 Murphy Drive, Middleton, Wisconsin 53562.

The Mendota Gas Fireplace Inserts have met all necessary AGA/ANSI Standards and are fully certified for installation in any community.

## TROUBLE SHOOTING MENDOTA GAS FIREPLACE INSERT

SYMPTOM	PROBABLE CAUSES	CORRECTIVE ACTION
1. Thin black coating [soot] forms on viewing glass.	A. Incorrect gas pressure B. Not enough combustion air	Have gas supplier check for correct gas pressure [7" W.C. Nat. Gas; 11" W.C. LP Gas]. If sooting continues open-air shutter on burner [see "Gas Flame Adjustment" below]. If sooting still continues, call a Mendota dealer. <b>NOTE:</b> To clean glass - remove glass and wipe glass with cloth or paper towel.
2. Humming or whistling coming from Fireplace Insert.	A. Normal operating noise.	Some noise is normal. It is caused by the gas supply flowing through the gas orifice. It is expected from any gas fireplace. The noise can be reduced by turning the Hi/Lo Knob on the control. Turning down the flame will reduce the heat output of the Insert.
3. A change in flame appearance or burner operation.	A. A change in gas pressure. B. Carbon dirt or lint.	Have your gas supplier check for correct gas 7" W.C. Nat. Gas; 11" W.C. LP Gas]. If flame still needs adjustment see "Flame Adjustment" below. Clean out carbon, spider webs, lint, etc. from shutter area. NEVER BLOCK AIR INTAKE OR OUTLET VENTS.

## **GAS FLAME ADJUSTMENT**

During the initial installation, the air shutter opening should be checked to be certain that the shutter is set correctly at 1/8" to 1/4" open for natural gas and 1/2" minimum open for L.P. gas. NOTE: For altitudes above 5,000 ft., some variations may be required.

Be sure burner and logs are properly installed (see pages 17-27). After burner has been properly installed and operated for 2-3 hours, small additional adjustments to the air shutter may be necessary for final flame appearance. These small shutter adjustments can be made by the following procedure:

**[NOTE: Very small changes in shutter settings make major changes in flame appearance.]**

1. Air shutter controls are located on the right side of the unit, behind facings or door, next to the glass door frame.
2. If flame is too "blue," push air shutter knob in (close) in small 1/8" increments until flame turns desired realistic "orange."
3. If flame is too "orange" or is causing sooting on viewing glass, pull air shutter knob out (open) in approx. 1/8" increments until sooting stops. IF SOOTING DOES NOT STOP, TURN OFF UNIT AND CALL YOUR MENDOTA SERVICE PERSON.

**IMPORTANT:** Try each new shutter setting approx. ½ hr. before making additional changes. NOTE: Changes in front burner flame can be made by re-arranging the coals and front burner air shutter opening. (See above.)

**NOTICE:** Initial heater start-up will cause some NON TOXIC "off gassing" of adhesives, gasket binders, paint and other materials. Most nuisance odors will be eliminated after the first two hours of operation; however, slight amounts may be present during first 24 hours of initial operation. To eliminate all nuisance odors, continuously operate this wall unit on the HIGH setting for 4 to 6 hours.

**WARNING: Label all wires prior to disconnection when servicing controls. Wiring errors can cause improper and dangerous operation. Verify proper operation after servicing.**

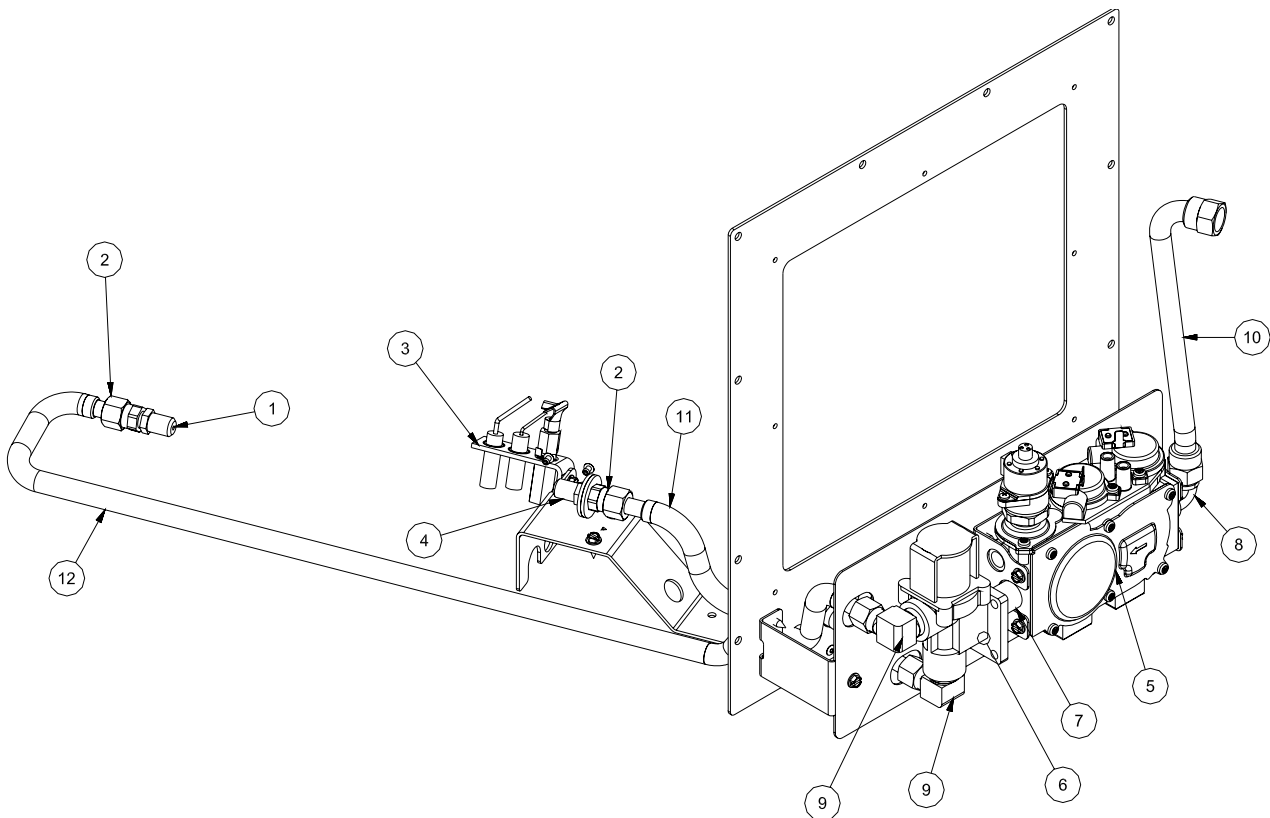
## Replacement and Service Parts

**Note:** Glass replacement is to be done by ordering the complete Glass Frame assembly #HA-58-00029. This assembly includes all necessary gaskets, glass and steel frame. Any replacement of glass other than this method voids the warranty and may cause injury.

### FV-44i VALVE ASSEMBLY REPLACEMENT PARTS

FV-44i VALVE ASSEMBLY REPLACEMENT PARTS LIST			
ITEM	QTY	PART NUMBER	DESCRIPTION
1	1	65-14-00042	Front ORIFICE, #42, NATURAL GAS
2	2	65-07-00024	1/8 NPT to Flex CF Coupler
3	1	05-04-00050	SIT Pilot Assembly
4	2	65-14-00045	Rear ORIFICE, #45 NATURAL GAS
5	1	05-02-00344	885 PROFLAME SIT VALVE
6	1	05-02-00351	Solenoid, 885 PROFLAME SPLIT FLOW VALVE
7	1	60-01-00018	NIPPLE, 3/8" NPT X 1.5" LONG, 0.493 ID, BLACK
8	1	65-07-00753	Elbow 90 Deg, 3/8 Flared Tube X 3/8" NPT Male, Brass
9	2	65-07-00012	BCF, 3/8 TBE X 3/8MPT COMP ELBW
10	1	55-02-00089	3/8" FLARED FLEXTUBE, SS X 9"
11	1	55-02-00073	TUBING, 3/8" OD X 10" SS 304
12	1	55-02-00088	TUBING, 3/8" OD X 30" SS 304

Figure 2: FV-44i VALVE ASSEMBLY





LISTED DIRECT VENT GAS FIREPLACE HEATER  
 (POELE AU GAZ HOMOLOGUÉ, À AÉRATION DIRECTE)  
 NOT FOR USE WITH SOLID FUEL  
 (NE DOIT PAS ÊTRE UTILISÉ AVEC UN COMBUSTIBLE SOLIDE)

MANUFACTURED BY (FABRIQUÉ PAR): MI-T-M CORP., PEOSTA, IOWA  
 FOR JOHNSON GAS APPLIANCE CO. CEDAR RAPIDS, IOWA  
 CERTIFIED FOR CANADA HOMOLOGUE POUR LE CANADA  
 TESTED TO (TESTÉ AUX NORMES)  
 ANSI Z21.88-2005 \* CSA 2.33-2005

WARNING: IMPROPER INSTALLATION, ADJUSTMENT, ALTERATION, SERVICE OR MAINTENANCE CAN CAUSE PROPERTY DAMAGE, PERSONAL INJURY, OR LOSS OF LIFE. REFER TO THE OWNER'S INFORMATION MANUAL PROVIDED WITH THIS APPLIANCE. INSTALLATION AND SERVICE MUST BE PERFORMED BY A QUALIFIED INSTALLER. DO NOT OPERATE WITH GLASS DOOR REMOVED, CRACKED, OR BROKEN. THIS VENTED GAS FIREPLACE HEATER IS NOT FOR USE WITH AIR FILTERS. REGISTER KIT MAY BE USED.

MISE EN GARDE: INSTALLATION, RÉGLAGE, MODIFICATION, ENTRETIEN OU DÉPANNAGE NON APPROPRIÉS POURRONT CAUSER DES BLESSURES OU DES DOMMAGES MATÉRIELS. RÉFÉREZ-VOUS AU MANUEL DU PROPRIÉTAIRE FOURNI AVEC CET APPAREIL. POUR ASSISTANCE OU RENSEIGNEMENTS COMPLÉMENTAIRES, VEUILLEZ CONSULTER UN INSTALLATEUR EXPÉRIMENTÉ, UNE AGENCE DE DÉPANNAGE/ENTRETIEN OU COTRE COMPAGNIE GAZIERE, POUR UTILISATION AVEC LES PORTES EN VERRE CERTIFIÉE L'APPAREIL SEULEMENT. NE PAS OPÉRER AVEC LE VERRIÈRE ENLEVÉ, CRAQUELURE, BRISÉ.

	<input type="checkbox"/> NATURAL GAS (GAZ NATUREL)	<input type="checkbox"/> LP GAS (GAS DE PÉTROLE) LIQUÉFIÉ (GPL)
INPUT RATING (BTR/HR) 0-610m (ENTRÉE NOMINALE)	40,000	40,000
MIN. INPUT RATING (BTU/HR)0-2000r (0-610m) (MINIMALE ENTRÉE NOMINALE)	16,300	15,300
ORIFICE 0-2000ft [0-610m]	FRONT #42 REAR #45	FRONT #55 REAR #54
ORIFICE 610-1370m	FRONT #43 REAR #46	FRONT #55 REAR #54
INPUT RATING (BTU/HR) 2000-4500ft (610-1370m) (ENTRÉE NOMINALE)	38,700	40,000
MAXIMUM OUTPUT (BTU/HR) (SORTIE MAXIMALE)	27,300	31,200
MANIFOLD PRESSURE (in. w.c./kPa) (PRESSION AU COLLECTEUR)	3.5	10.0
MANIFOLD PRESSURE, LOW (in. w.c./kPa) (PRESSION D'ENTRÉE MINIMALE)	1.7	6.3
MINIMUM INLET PRESSURE (in. w.c./kPa) (PRESSION D'ENTRÉE MINIMALE)	5.0	11.0

THIS APPLIANCE IS ONLY FOR USE WITH THE TYPE OF GAS INDICATED ON THE RATING PLATE AND MAY BE INSTALLED IN AN AFTERMARKET, PERMANENTLY LOCATED MANUFACTURED (MOBILE) HOME WHERE NOT PROHIBITED BY LOCAL CODES. SEE OWNER'S MANUAL FOR DETAILS. THIS APPLIANCE IS SUPPLIED WITH A CONVERSION KIT. THIS VENTED GAS FIREPLACE IS NOT FOR USE WITH A FILTER.----CET APPAREIL SERA INSTALLÉ CONFORMÉMENT AVEC LES CODES LOCAUX, LE CAS ÉCHÉANT. SI AUCUN CODE N'EXISTÉ, SUIVEZ LA NORME ANSI Z223.1 OULA NORME CAN/CGA (ACNOR)-B149.

MINIMUM CLEARANCES TO COMBUSTIBLE CONSTRUCTION  
 UNIT TO SIDEWALL 16 in. (407 mm) UNIT TOP TO 8" MANTLE 12in. (305 mm)

CAUTION: HOT WHILE IN OPERATION. DO NOT TOUCH. KEEP CHILDREN, CLOTHING, FURNITURE, AND FLAMMABLE LIQUIDS OR VAPORS AWAY.

ATTENTION: L'APPAREIL EST CHAUD LORSQU'IL FONCTIONNE. NE PASS TOUCHER L'APPAREIL. SURVIELLER LES ENFANTS. GARDER LES VÊTEMENTS, LES MEUBLES, L'ESSENCE OU AUTRES LIQUIDES À VAPEUR INFLAMMABLES LOIN DE L'APPAREIL.

ELECTRICAL RATING (COURANT NOMINAL): 120 VOLTS 60 HERTZ LESS THAN 1.5 AMPERES

**DO NOT REMOVE OR COVER THIS LABEL**  
**VEUILLEZ A NE JAMES ENLEVER NI DISSIMULER CETTE ÉTIQUETTE**

MFG. DATE:

MODEL: FV44i

SERIAL NO.

WH-FV44i -

65-01-000376

## MENDOTA WARRANTY QUALIFICATION & SERVICE REFERENCE FORM

As a part of Mendota's on-going program of customer satisfaction, this Form verifies proper installation and operation. It is important as a reference for future service. It insures long life and trouble-free operation of Mendota fireplaces & stoves and qualifies the owner for Mendota's lifetime limited warranty. Owner should sign Form when completed. Optionally, please register at our website at : [WWW.JOHNSONGAS.COM/MENDOTA-REGISTRATION.ASP](http://WWW.JOHNSONGAS.COM/MENDOTA-REGISTRATION.ASP)

HOME OWNER: \_\_\_\_\_ DEALER: \_\_\_\_\_  
 ADDRESS: \_\_\_\_\_ ADDRESS: \_\_\_\_\_  
 CITY/STATE/ZIP: \_\_\_\_\_ CITY/STATE/ZIP: \_\_\_\_\_  
 SIGNATURE: \_\_\_\_\_ PHONE: \_\_\_\_\_  
 MODEL #: **FV-44i** SERIAL #: \_\_\_\_\_ DATE INSTALLED: \_\_\_\_\_  
 GAS \_\_\_\_\_ NAT or \_\_\_\_\_ L.P.

Mendota Fireplace Inserts are sophisticated, hi-tech gas appliances. All installation and operating instructions must be carefully followed. This Insert must be installed and serviced by a qualified Mendota approved service person.

**REF: MENDOTA GAS FIREPLACE INSERT**

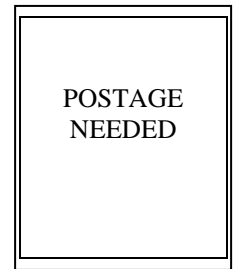
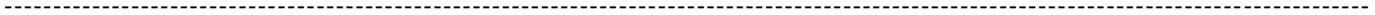
- APPROVED VENT PIPES AND VENT CAP INSTALLED - Per Manual and manufacturer's specifications
- CHECK FOR PROPER CLEARANCES TO COMBUSTIBLES - Per pipe manufacturer's specifications
- INSTALL PROPER SIZE GAS LINES - CHECK FOR GAS LEAKS - Per Manual
- CHECK FOR CORRECT GAS PRESSURE AT SUPPLY INLET
  - a. 5 Inches Water Column Minimum - Nat. Gas
  - b. 11 Inches Water Column Miniimum - L.P. Gas
- CYCLE BURNERS ON/OFF FOR PROMPT IGNITION - Per "LIGHTING INSTRUCTIONS"  
 Burner must light IMMEDIATELY - Flame must travel promptly around "curve" & light burner.
- INSTALL LOGS AND ADJUST FLAME - Per Manual  
 Proper pilot flame impingement on thermopile & burner - Air shutter opening: 1/8" - 1/4" Nat. Gas - 1/2" LP
- BRIEF OWNER ON OPERATION AND MAINTENANCE OF UNIT
  - Light Pilot
  - Operate Burner
  - Explain blower "delay" operation

WARRANTY REGISTRATION

Your Name \_\_\_\_\_  
 Address \_\_\_\_\_  
 City \_\_\_\_\_ State \_\_\_\_\_ Zip \_\_\_\_\_  
 Dealer (Place of Purchase) \_\_\_\_\_  
 City \_\_\_\_\_ State \_\_\_\_\_ Zip \_\_\_\_\_  
 Date of Purchase \_\_\_\_\_ Serial Number \_\_\_\_\_  
 Purchaser's Signature \_\_\_\_\_  
 MENDOTA FIREPLACE INSERT, FV-44i

CUT OUT PAGE AND MAIL TO: JOHNSON GAS APPLIANCE CO., 520 E AVE. N.W. , CEDAR RAPIDS, IOWA 52405  
 OR REGISTER YOUR NEW INSERT AT: [WWW.JOHNSONGAS.COM/MENDOTA-REGISTRATION.ASP](http://WWW.JOHNSONGAS.COM/MENDOTA-REGISTRATION.ASP)

**TAPE SHUT**



**JOHNSON GAS APPLIANCE COMPANY  
520 E AVENUE N.W.  
CEDAR RAPIDS, IA 52405**

## MENDOTA EXTENDED LIFETIME PROTECTION AND LIMITED WARRANTY

### MENDOTA GAS FIREPLACE INSERT MODEL: FV-44i NAT. & L.P.

Mendota Division of Johnson Gas Appliance Company, 520 E Avenue N.W. Cedar Rapids, Iowa 52405, extends this Extended Lifetime Protection and Limited Warranty to the original purchaser of a Mendota Gas Fireplace Insert, Serial Number \_\_\_\_\_, which is limited and used under normal home conditions.

#### STANDARD WARRANTY:

JOHNSON GAS APPLIANCE CO., MENDOTA DIVISION, WARRANTS THAT YOUR NEW MENDOTA GAS FIREPLACE INSERT IS FREE FROM MANUFACTURING AND MATERIAL DEFECTS FOR A PERIOD OF ONE YEAR FROM THE DATE OF INSTALLATION, SUBJECT TO THE FOLLOWING CONDITIONS AND LIMITATIONS:

#### EXTENDED LIFETIME WARRANTY:

THE HEAT EXCHANGER, THE BURNER TUBE, THE COMBUSTION CHAMBER AND THE OUTER SHIELD OF THE MENDOTA GAS FIREPLACE INSERT ARE WARRANTED FOR THE LIFETIME OF THE ORIGINAL OWNER, SUBJECT TO PROOF OF PURCHASE AND THE FOLLOWING CONDITIONS AND LIMITATIONS:

1) This new Mendota Fireplace Insert must be installed and serviced by a competent, authorized service contractor. It must be installed and operated at all times in accordance with the installation and operating instructions furnished with the Fireplace. All adjustments to logs, coals or burner must be made by an authorized Mendota Service person.

This limited warranty does not cover the cost of service calls, the cost of labor to remove or install parts covered by this limited warranty, freight or other transportation expenses that may be incurred in connection with obtaining performances under this limited warranty. The remedy for damages as the result of any defects in this product which have been warranted herein is limited to replacement parts and does not include any incidental, indirect or consequential damages or expenses sustained in connection with the products, including damages to property, except as provided by law.

2) This warranty is non-transferable and is made to the original retail purchaser, provided the purchase was made through an authorized Mendota dealer.

Mendota is not responsible for any damage to or malfunction of the Insert unless caused by a defect in material or workmanship from normal home use. Damage caused by abuse, improper installation or operation, installation by unqualified personnel or breach of the conditions of this limited warranty will excuse Mendota from performance of any part of the limited warranty. This warranty does not cover glass or log breakage.

Mendota has the right to investigate and inspect the exact original fireplace and materials, in the event a claim is made (without alterations or tampering), to determine whether the claimed damage or malfunction was caused by abuse, improper installation or other cause outside this warranty. Mendota is not responsible for any repairs or material purchases that have not received prior written approval from Mendota.

NOTE: Minor warping of certain parts or discoloration is normal and is not a defect covered by this limited warranty. Over-firing of your Mendota Fireplace Insert can cause major warping of parts. Over-firing above rated nameplate specifications is contrary to the manufacturer's instructions and WILL void this warranty.

This warranty may not be extended by our representatives in any manner. The company neither assumes, nor authorizes any third party to assume, on its behalf, any other liabilities with respect to the sale of this Mendota product.

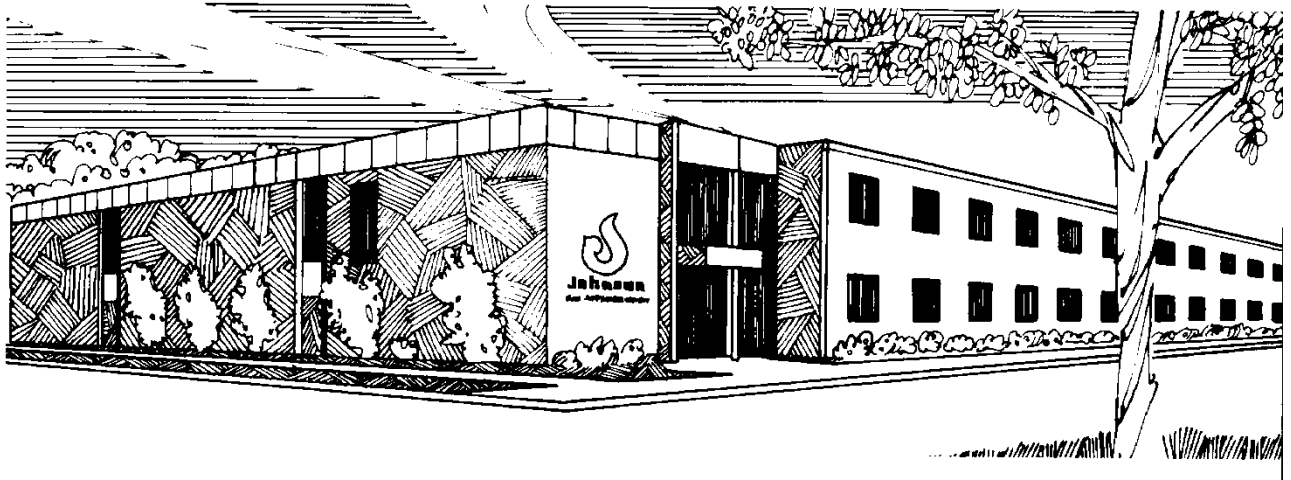
3) Mendota may at its discretion, fully discharge all obligations of this warranty by refunding the wholesale price of the defective part(s).

4) All other warranties - expressed or implied - with respect to the product, its components and accessories, or any obligation/liabilities on the part of the company are hereby expressly excluded. Products made by other manufacturers, sold with the Fireplace or thereafter, are not covered by this limited warranty. The use of unauthorized components will make this warranty null and void.

This warranty shall be effective only if the original purchaser of the Mendota appliance is registered with Mendota Division within thirty (30) days of the date of purchase. Such registration or the failure to register shall not be deemed to create any obligation or liability by the manufacturer and this warranty with its conditions and limitations shall be the only procedure for obtaining any rights against the manufacturer and expresses the sole obligation and responsibilities of the manufacturer which are offered to the original purchaser and accepted upon purchase of the appliance.

Mendota Division, reserves the right to make changes at any time without notice, in design, material, specifications, prices and the right to discontinue styles and products.

Some states do not allow the exclusions of limitation of incidental or consequential damages or limitations on how long an implied warranty lasts, so the above limitation or exclusion may not apply to you. This warranty gives you specific legal rights and you may also have other rights, which vary from state to state.



**Johnson Gas Appliance Company**  
520 E Avenue N.W. - Cedar Rapids, IA 52405

Website: [www.johnsongas.com](http://www.johnsongas.com) or [www.mendotahearth.com](http://www.mendotahearth.com)

**Part #85-03-00800**